

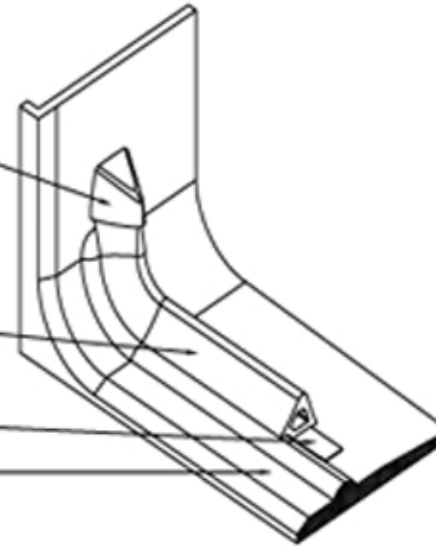
**COLLAPSIBLE SHOWER DAM
WITH END CAPS
ISOMETRIC VIEW**

END CAP
SEAT IN PLACE WITH
CLEAR SILICON.

COLLAPSIBLE DAM

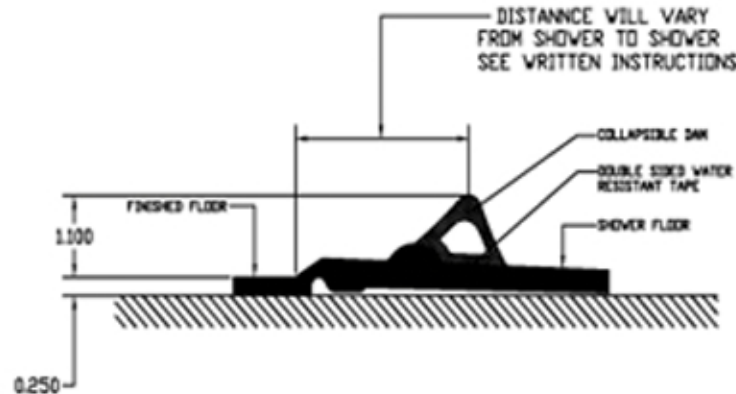
**DOUBLE SIDE WATER
RESISTANT TAPE**

SHOWER FLOOR



**COLLAPSIBLE DAM
WITH END CAP**

THIS DRAWING IS NOT TO SCALE.
FOR ILLUSTRATION ONLY.



**COLLAPSIBLE DAM
AT THRESHOLD**

THIS DRAWING IS NOT TO SCALE.
FOR ILLUSTRATION ONLY.

REV	DATE	DESCRIPTION



NOTES

1. DO NOT SCALE FROM THIS DRAWING
2. REFER TO PROVIDED SAMPLE FOR AESTHETIC DESIGN
3. MANUFACTURE TO REPORT ANY DESIGN DISCREPANCY BETWEEN PROVIDED SAMPLE AND DESIGN DRAWINGS

NOTE:
THESE DRAWINGS ARE FOR
REFERENCE ONLY.

25				
24				
23				
22				
21				
20				
19				
18				
17				
16				
15				
14				
13				
12				
11				
10				
9				
8				
7				
6				
5				
4				
3				
2				
1				
ITEM	QTY	DESCRIPTION	MATERIAL, FINISH	COL. NO.

LIST OF MATERIAL / PARTS LIST

		COLLAPSIBLE SHOWER DAM WITH END CAPS
TOLERANCES X +/- .001 XX +/- .010 XXX +/- .030	DATE OF DESIGN REV 05-16-2003	PAGE NO. 1 OF 1