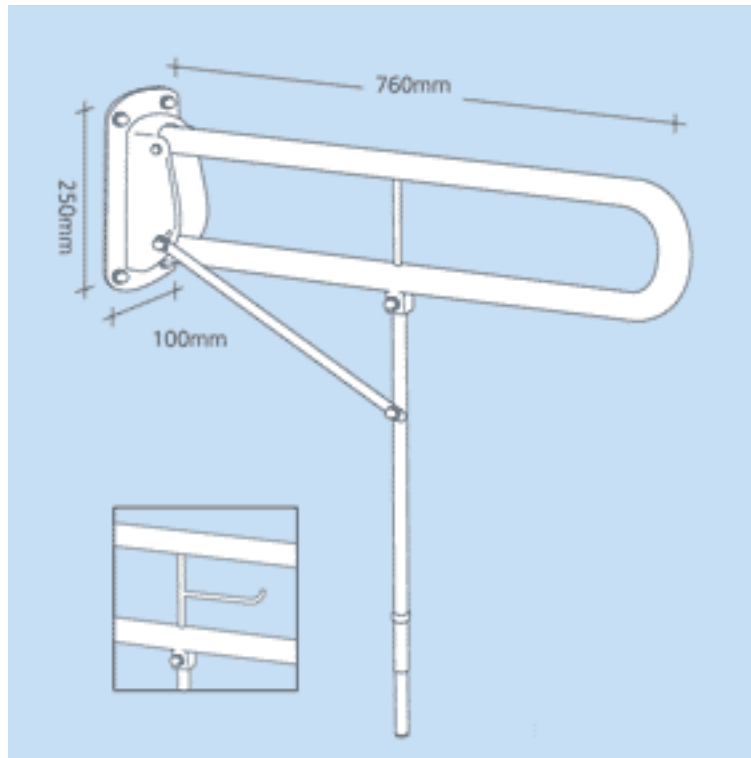


Basic Technical Data Sheet



| | |
|---------------------|--|
| Product Code: | FB30PLW |
| Capacity: | 440 lbs. |
| Net weight: | Approx 9 lbs. |
| Dimensions (WxDxH): | 3.94" x 29.92" x 27.5 to 29.5" to top of bar |

Use and Installation Info

| | |
|------------|--|
| Use: | Wall Installation |
| Cleaning: | Clean using pure water and home disinfectants which have been sufficiently diluted in water. Do not use abrasive detergents and trichloroethylene, oxygenated water or acetone-based solvents. |
| Fasteners: | We suggest to use fasteners suitable to the wall characteristics on which the product will be installed. |
| Option: | Toilet Paper Roll Holder available by special order |

Available colors

White