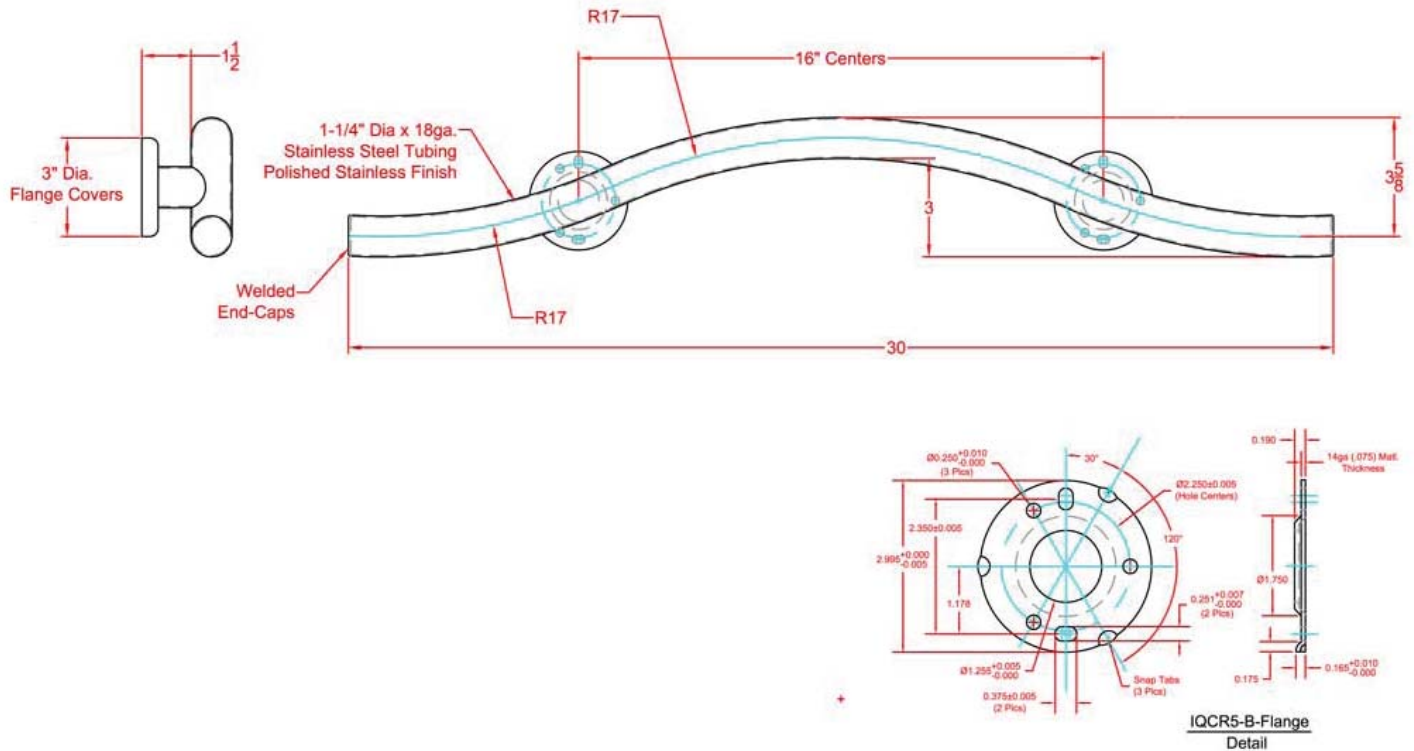


Basic Technical Data Sheet



Product Code: **GBR30 S/P (satin / polished)**

Description: 30" Curved Grab Bar

Dimensions: 30", 1 1/4" Diameter

Use and Installation Info

Use: Wall Installation

Cleaning: Clean using pure water and home disinfectants which have been sufficiently diluted in water. Do not use abrasive detergents and trichloroethylene, oxygenated water or acetone-based solvents.

Fasteners: Included with the product

We suggest to use fasteners suitable to the wall characteristics on which the product will be installed.

