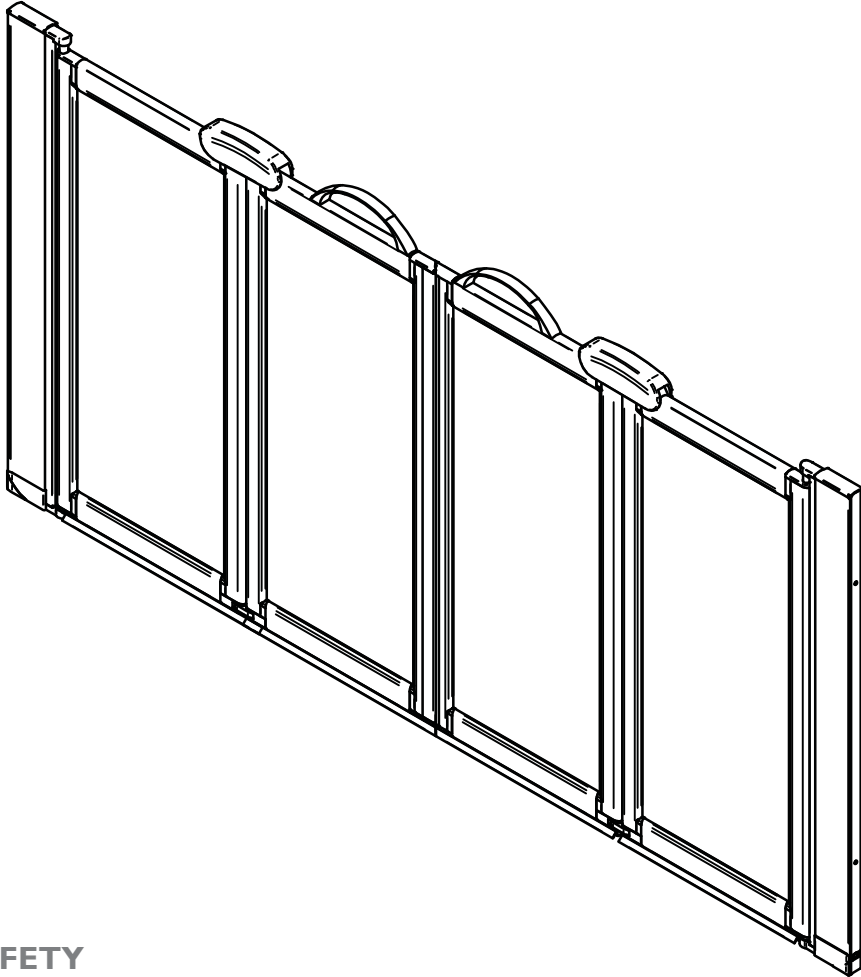


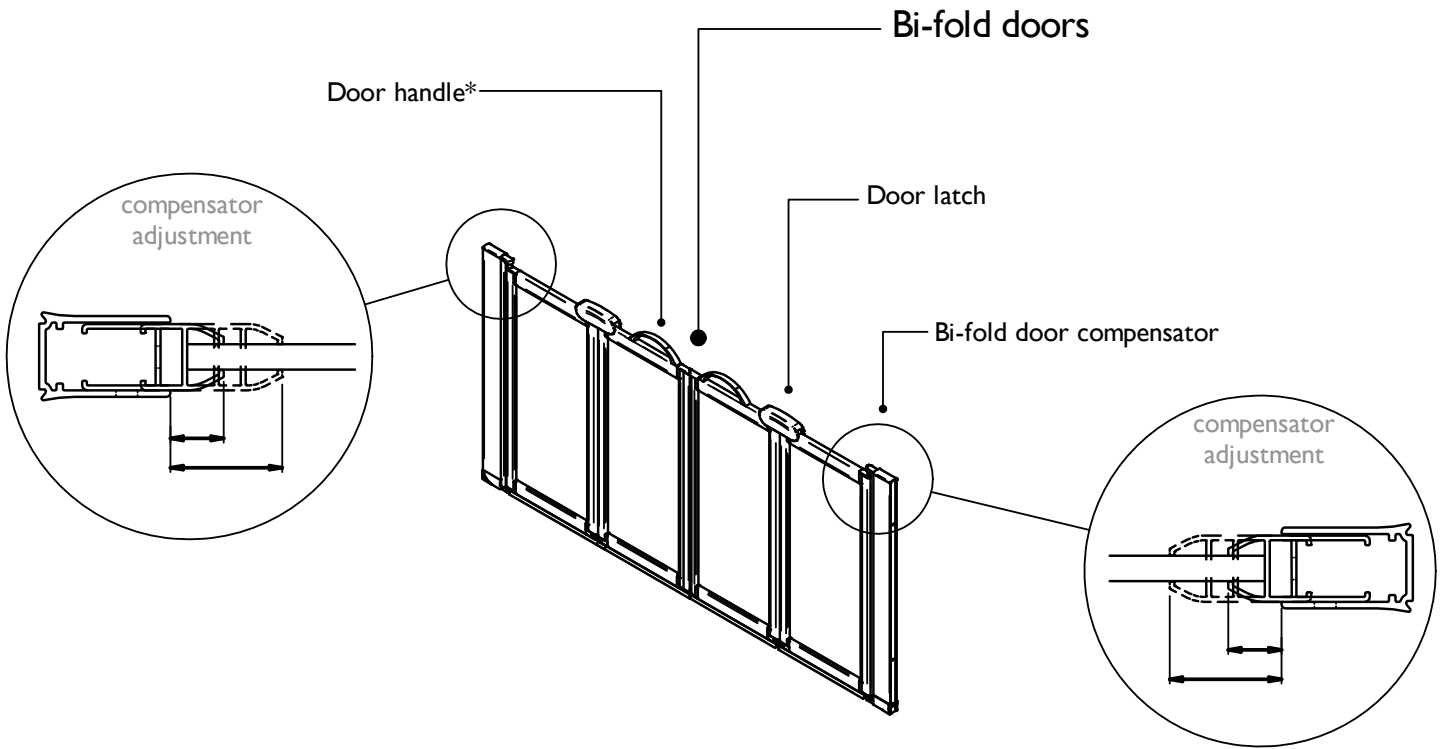
## LIBERTY CAREGIVER DOORS Installation Guide



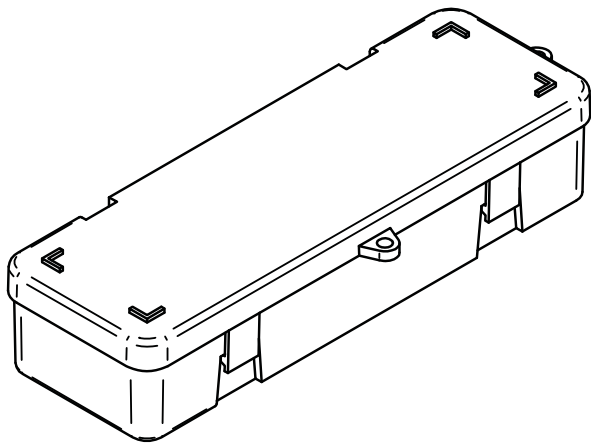
### SAFETY

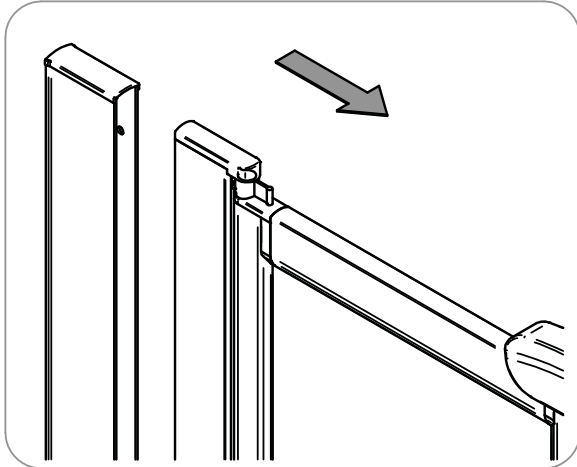
- Please read these installation instructions carefully before proceeding.
- Keep guide for future reference
- If you are unsure about any part of the installation, please contact our technical department on: 856-488-9535
- Incorrect installation will invalidate the warranty
- Make sure there are no hidden pipes or cables in the floor or walls where you intend to drill.
- Wear safety goggles, shoes and appropriate clothing.

## The Door System

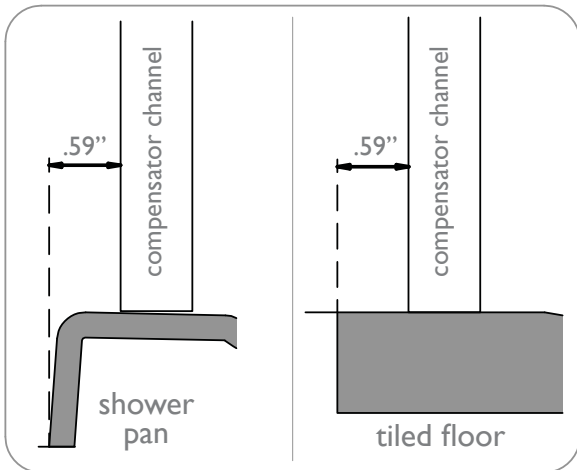


## Fitting Kit A2

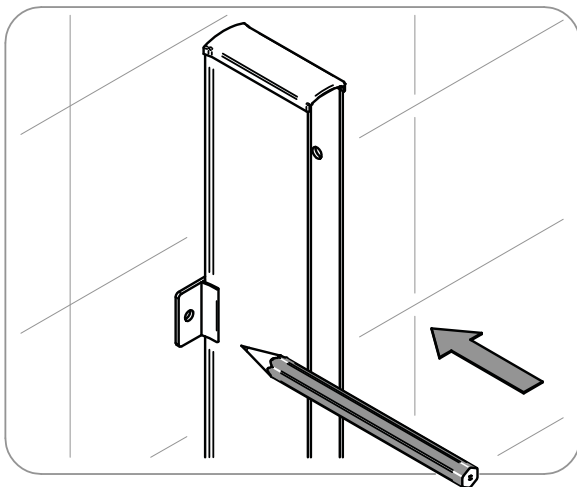




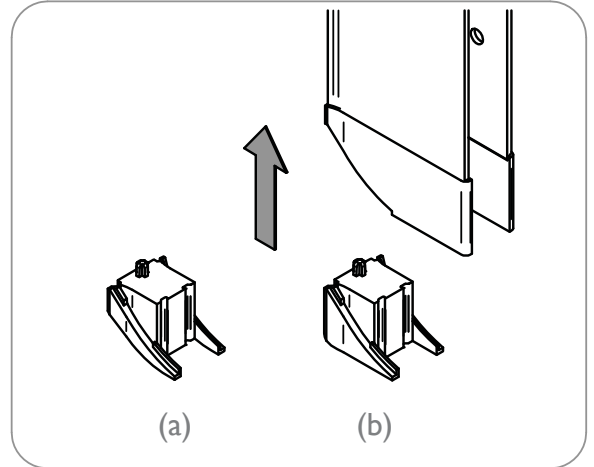
1 Remove door from compensator



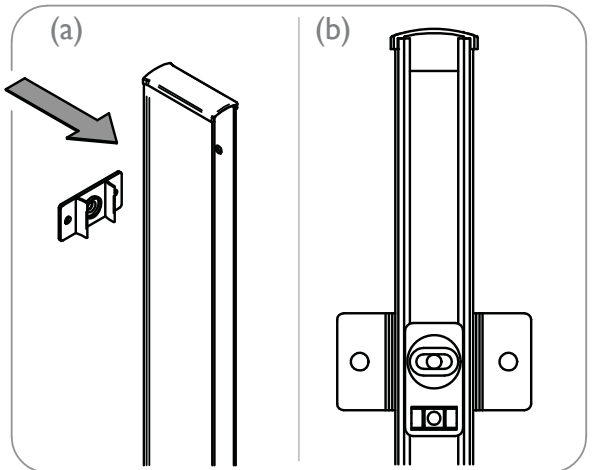
3 Position the compensator channel .59" inboard from the edge of the pan as shown.



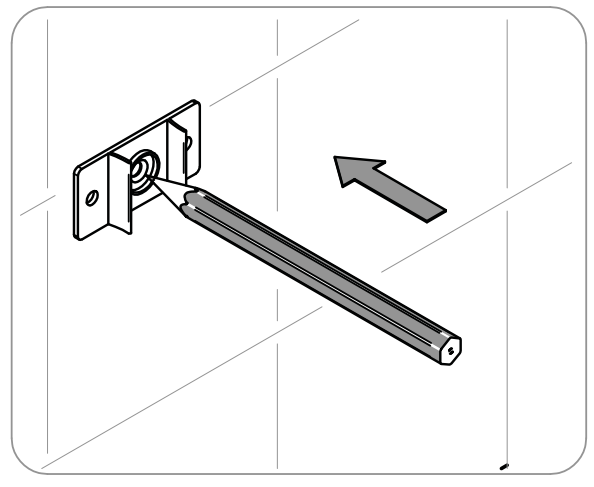
5 Mark the two alignment points, repeat for the lower fastener. DO NOT DRILL MARKINGS



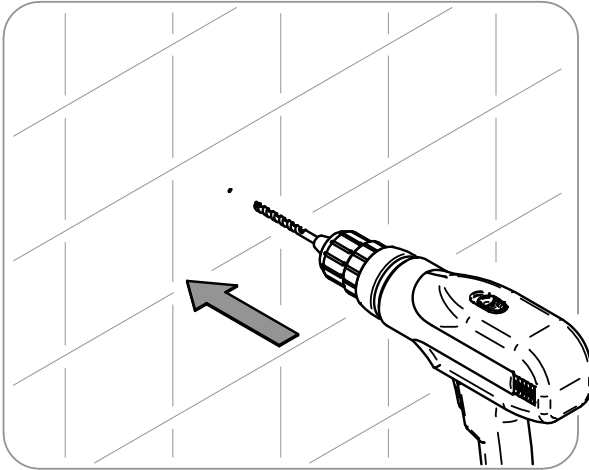
2 Select the correct curved foot for your installation:  
 (a) shower tray  
 (b) 1.18" - 1.38" wetrooms



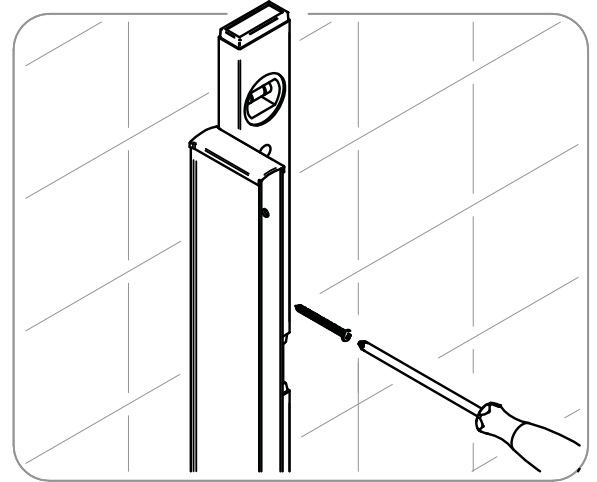
4 (a) Clip the two plastic locating plates in place.  
 (b) Align the spirit level bubble.



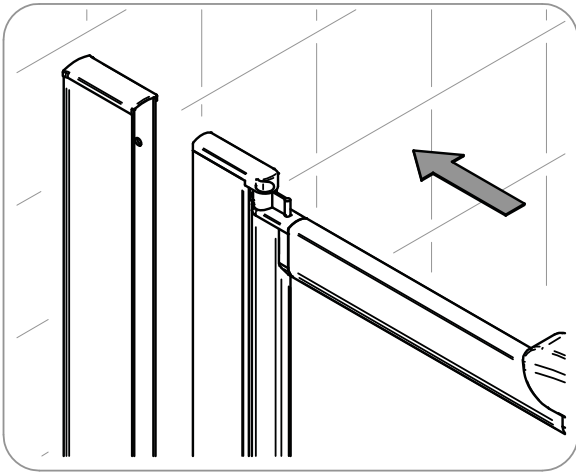
6 Unclip the marking plate and align with the previously marked points. Mark the center hole for drilling. DO NOT DRILL OUTER POINTS



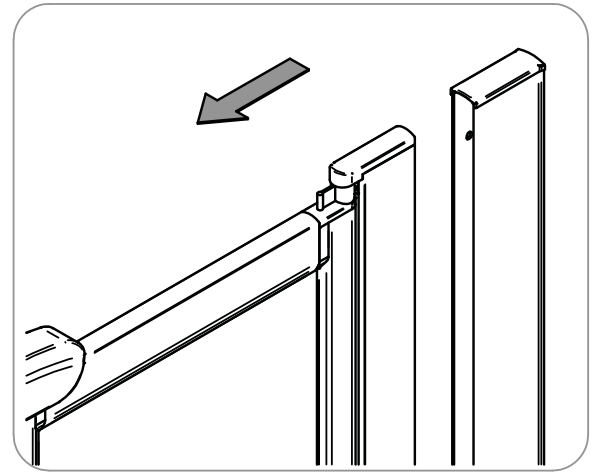
**7** Using a suitable drill bit, drill the upper and lower marked center points.



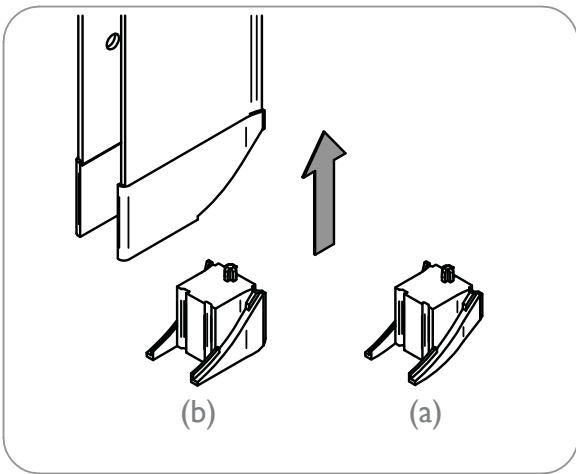
**8** Using appropriate hardware, screw the wall channel into position, ensuring the channel remains vertical. Note: Screw plugs may be required



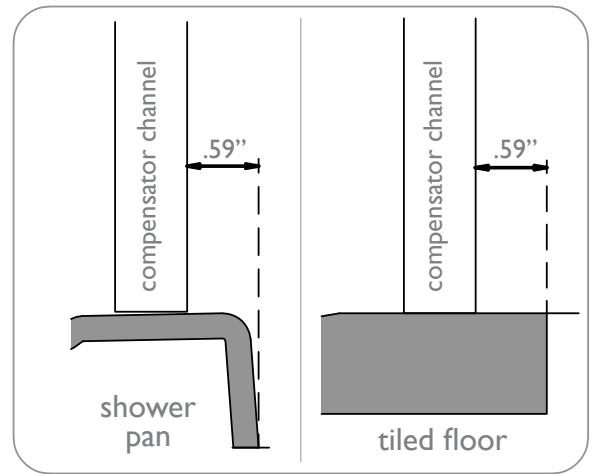
**9** Insert the door into the wall compensator



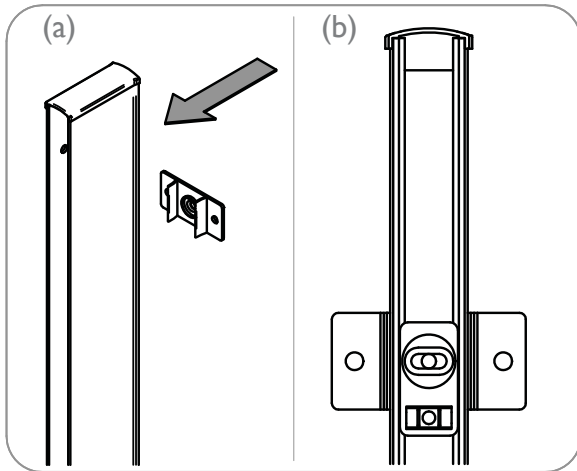
**10** Opposing door: Remove door from compensator.



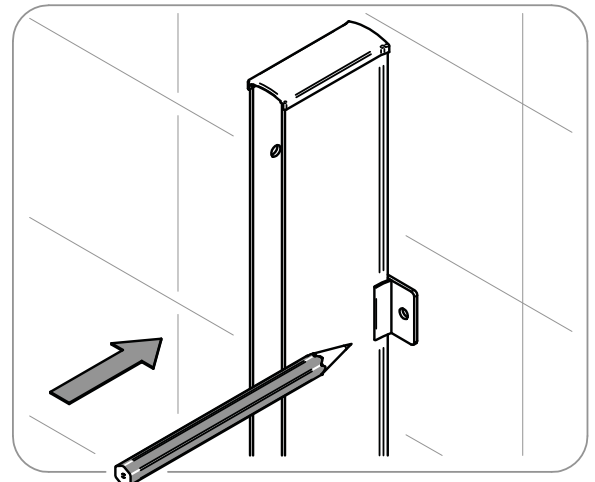
**11** Select the correct curved foot for your installation:  
 (a) shower pan  
 (b) 1.18" - 1.38" wetrooms



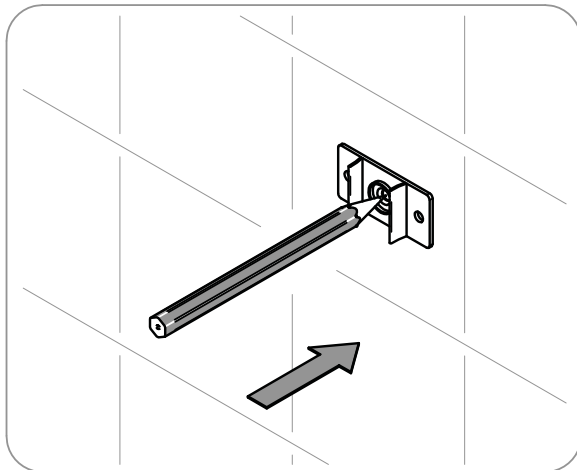
**12** Position the compensator channel .59" inboard from the edge of the shower pan as shown.



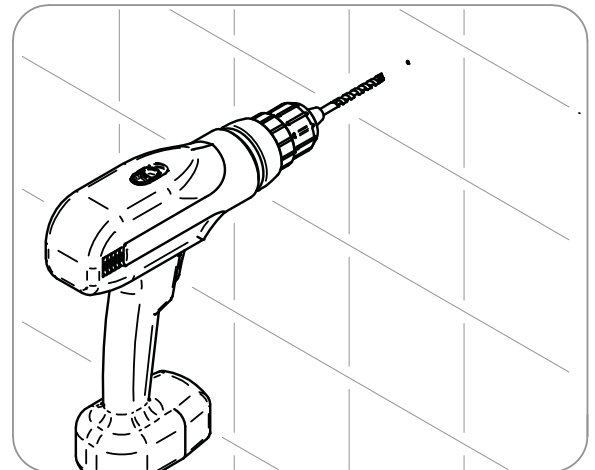
**13** (a) Clip the two plastic locating plates in place.  
(b) Align the spirit level bubble.



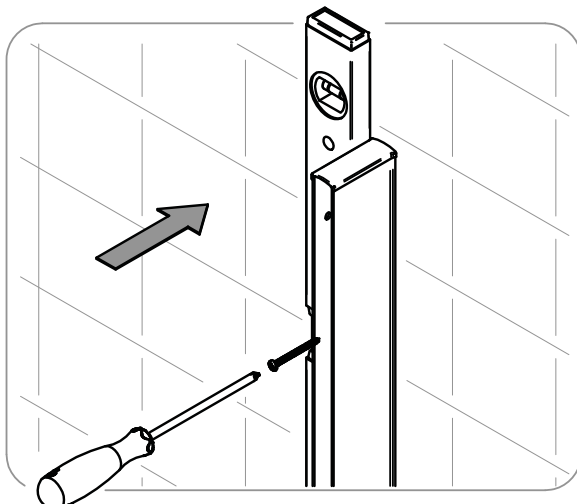
**14** Mark the two alignment points, repeat for the lower fastener. **DO NOT DRILL MARKINGS**



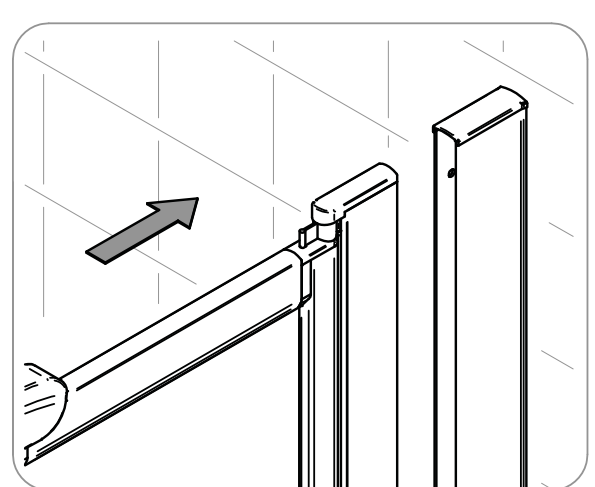
**15** Unclip the marking plate and align with the previously marked points. Mark the center hole for drilling. **DO NOT DRILL OUTER POINTS**



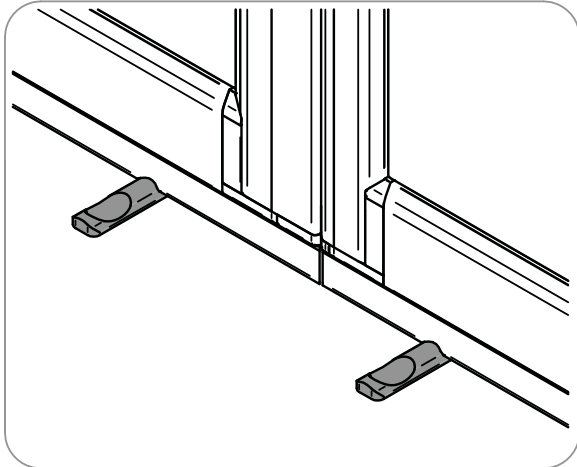
**16** Using a suitable drill bit, drill the upper and lower marked center points.



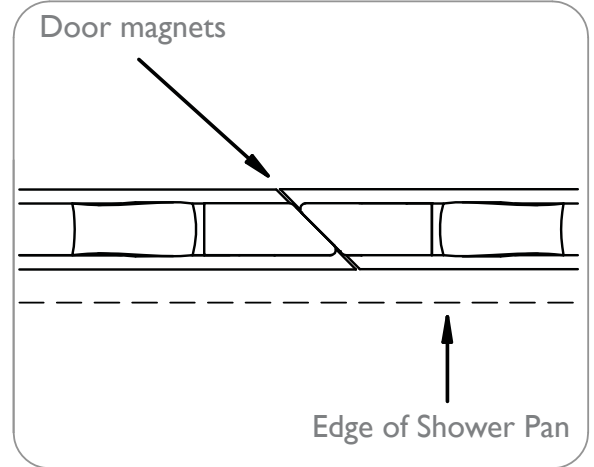
**17** Using appropriate hardware, screw the wall channel into position, ensuring the channel remains vertical.  
Note: Screw plugs may be required



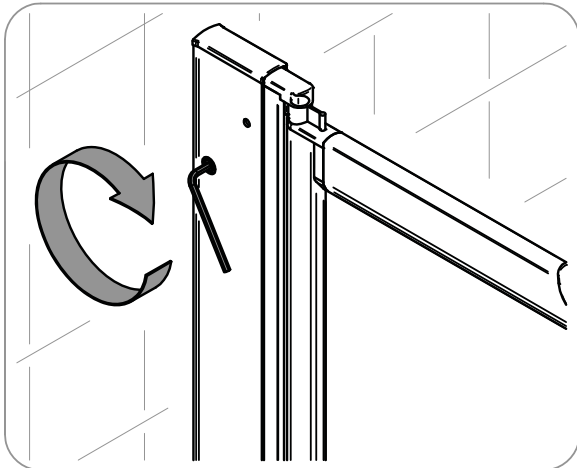
**18** Insert the door into the wall compensator.



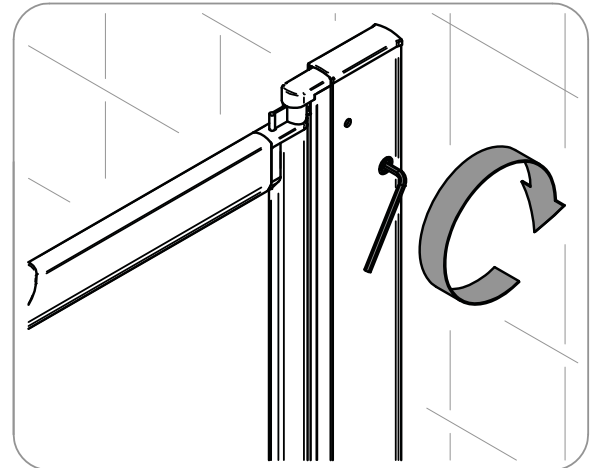
**19** Allow doors to rest on door setters as shown. This ensures the doors are correctly height adjusted.



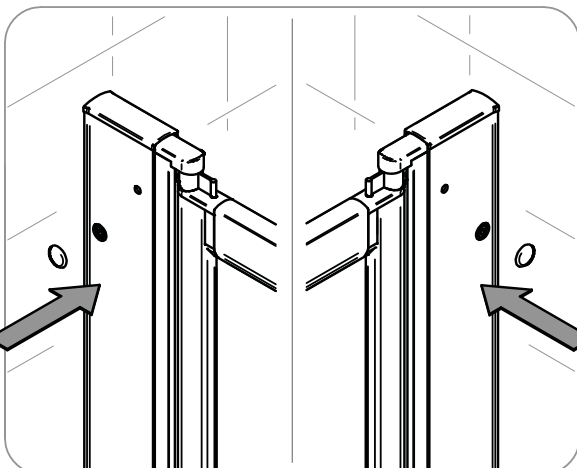
**20** Align doors as shown. Magnets must meet and doors must be positioned on inside edge of shower pan.



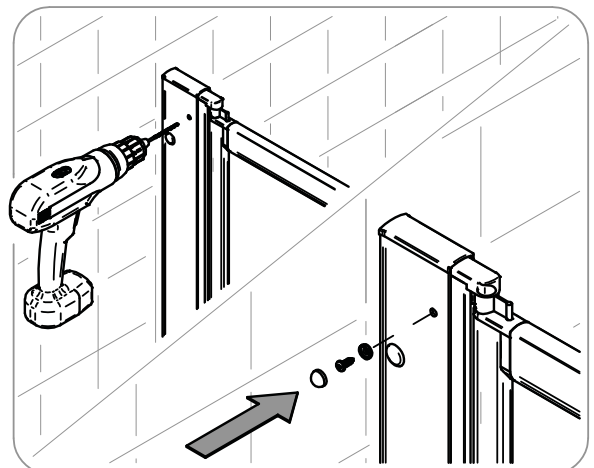
**21** Once the doors are correctly aligned, tighten the upper and lower hex screws with the allen key provided.



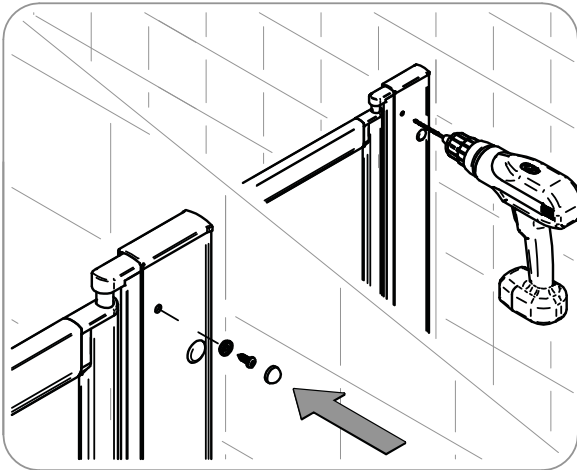
**22** Repeat this for the opposite door.



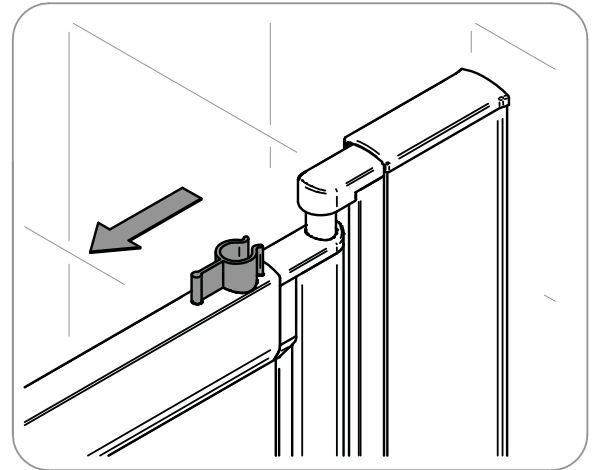
**23** Push caps into place over hex screws (x4).



**24** Drill (using a 3.5mm bit) and screw lockup holes (x2) in door compensator. Ensure screw caps are fitted.



**23** Repeat the last step for the opposing door.  
Ensure screw caps are fitted.



**24** Remove both the door transport clips.

## Silicone around the door

