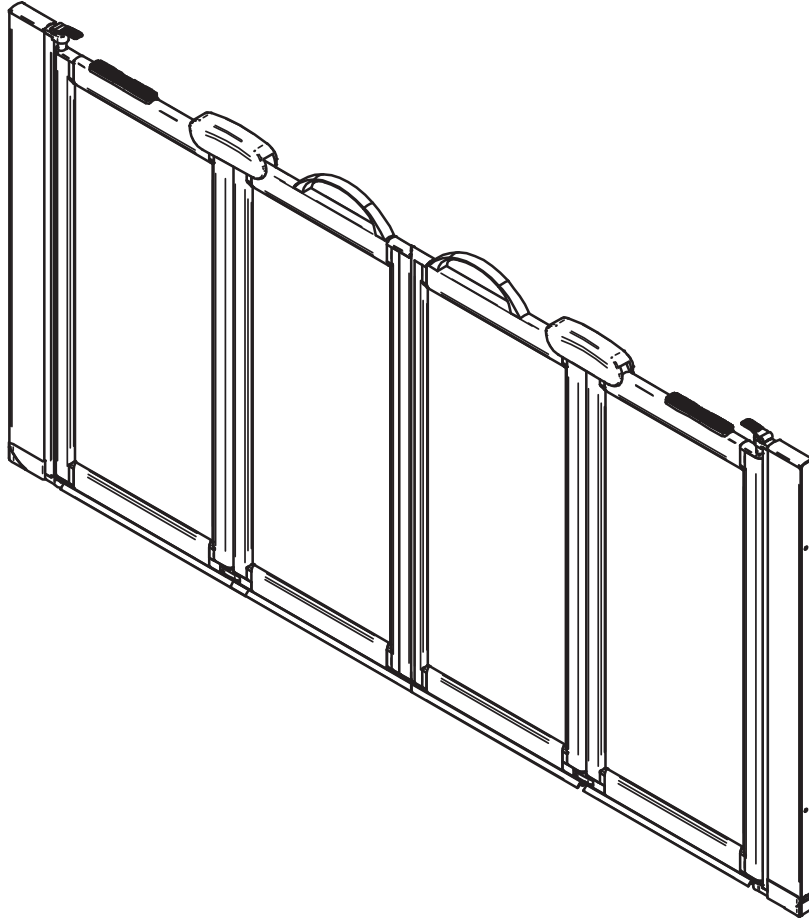


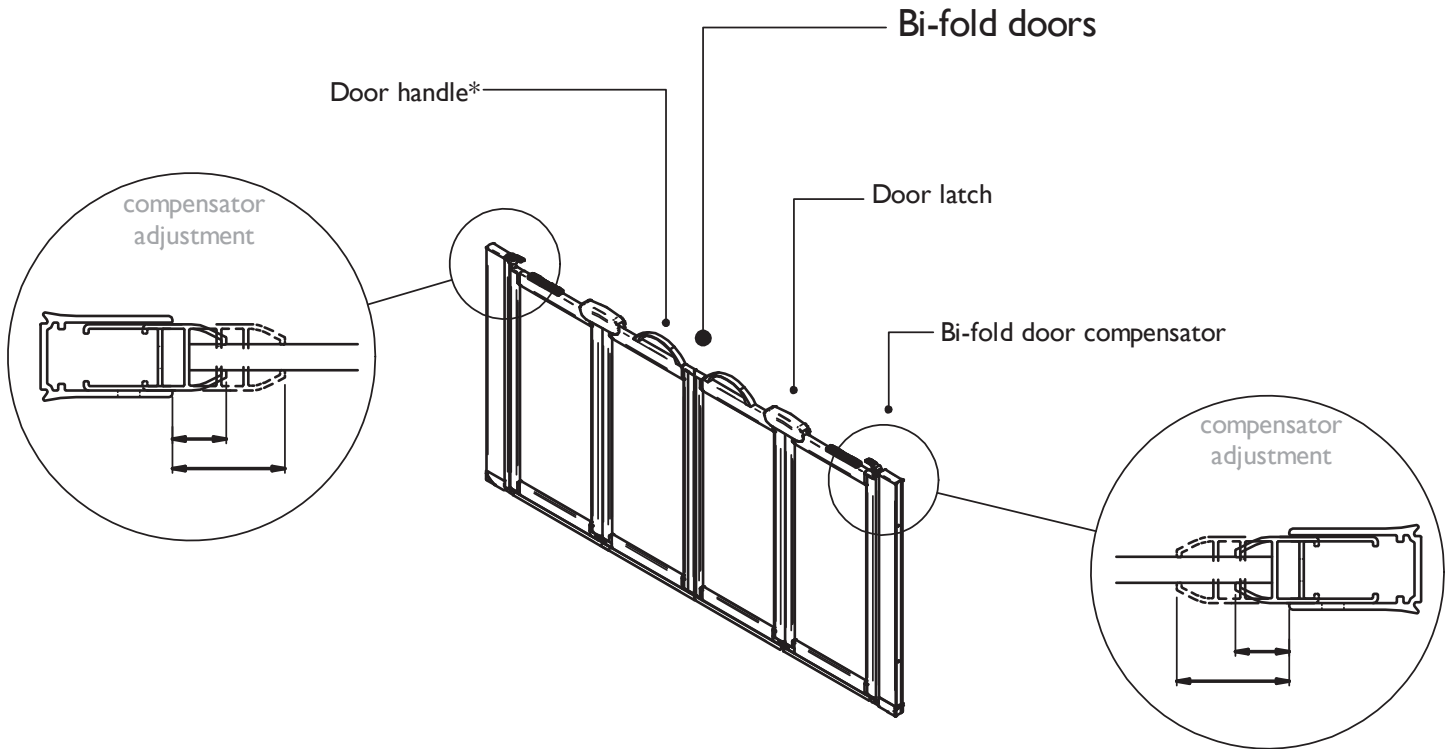
PREMIUM LIBERTY CAREGIVER DOORS Installation Guide



SAFETY

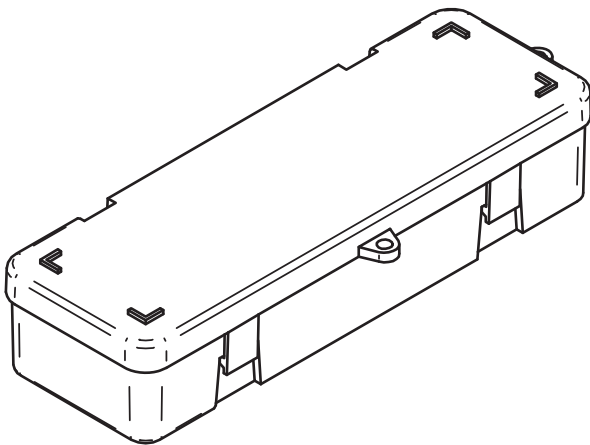
- Please read these installation instructions carefully before proceeding.
- Keep guide for future reference
- If you are unsure about any part of the installation, please contact our technical department on: 856-488-9535
- Incorrect installation will invalidate the warranty
- Make sure there are no hidden pipes or cables in the floor or walls where you intend to drill.
- Wear safety goggles, shoes and appropriate clothing.

The Door System

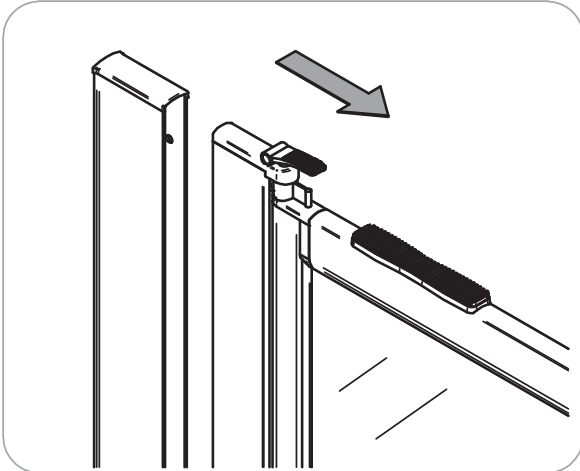


*Depending on your door size, handles may not be applicable.

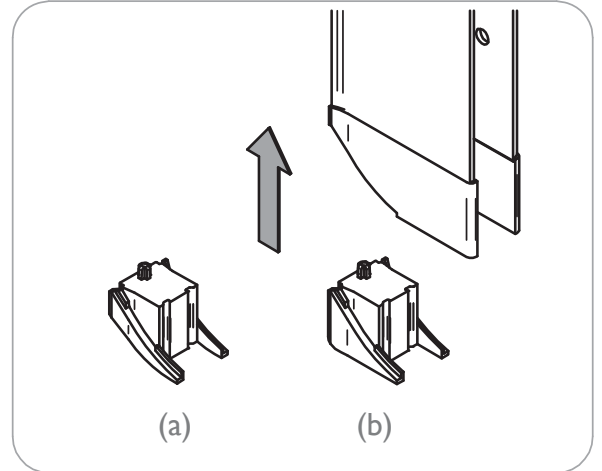
Fitting Kit A2



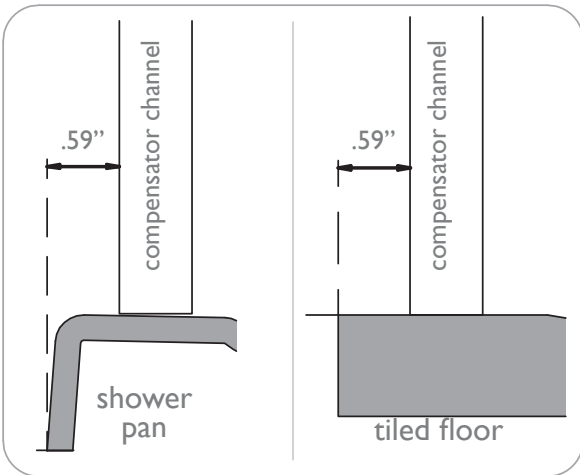
Installation - Premium Liberty Caregiver Doors



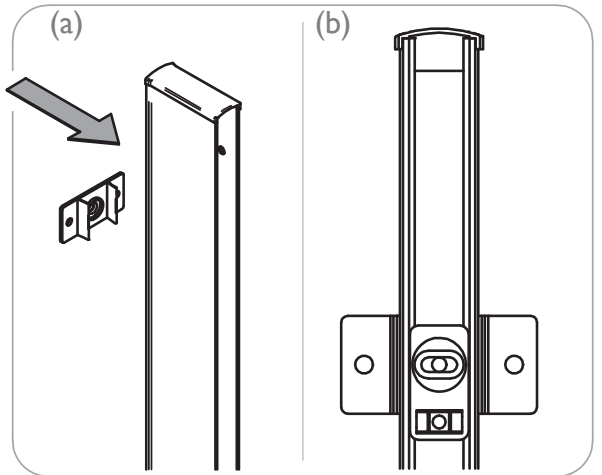
1 Remove door from compensator



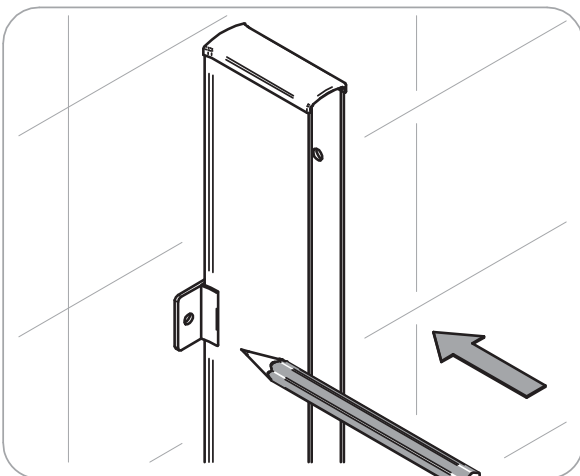
2 Select the correct curved foot for your installation:
(a) shower tray
(b) 1.18" - 1.38" wetrooms



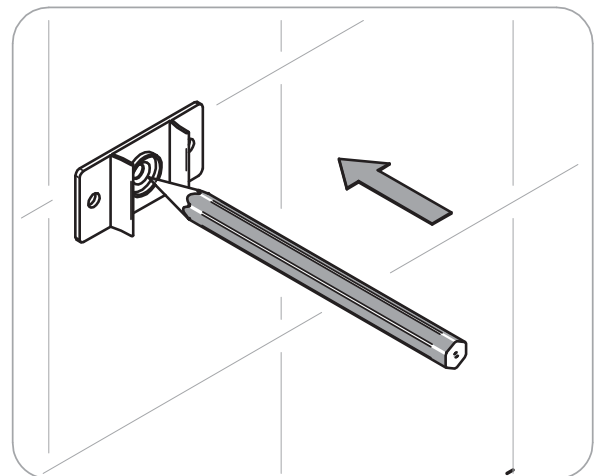
3 Position the compensator channel .59" inboard from the edge of the pan as shown.



4 (a) Clip the two plastic locating plates in place.
(b) Align the spirit level bubble.

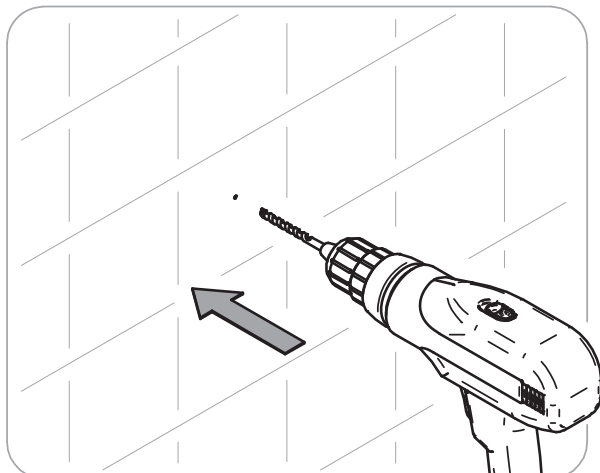


5 Mark the two alignment points, repeat for the lower fastener. DO NOT DRILL MARKINGS

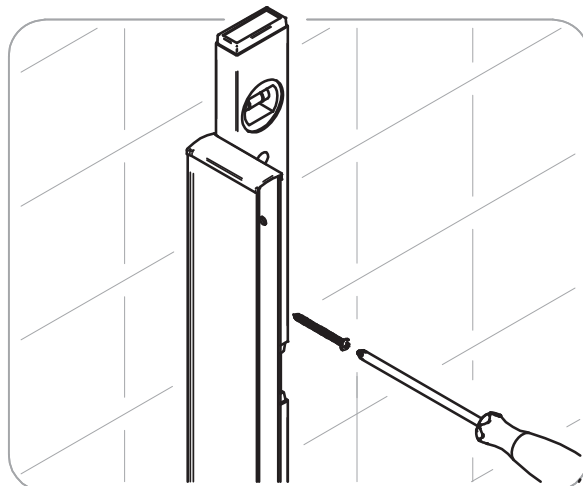


6 Unclip the marking plate and align with the previously marked points. Mark the center hole for drilling. DO NOT DRILL OUTER POINTS

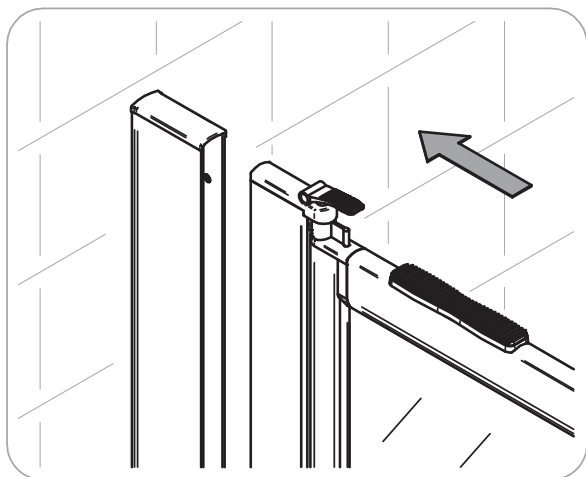
Installation - Premium Liberty Caregiver Doors



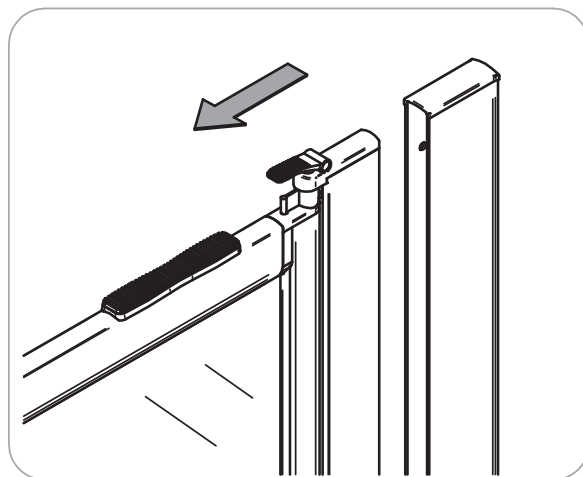
7 Using a suitable drill bit, drill the upper and lower marked center points.



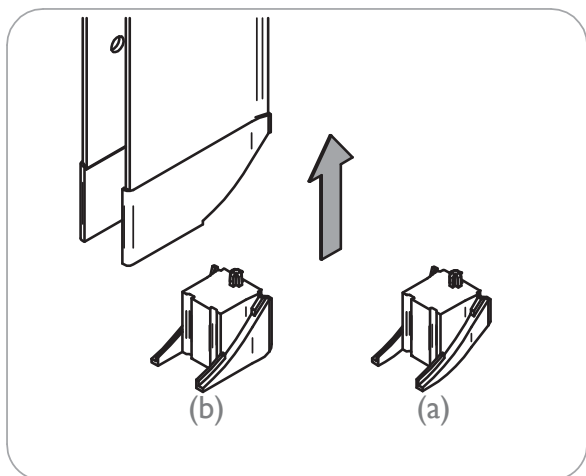
8 Using appropriate hardware, screw the wall channel into position, ensuring the channel remains vertical. Note: Screw plugs may be required



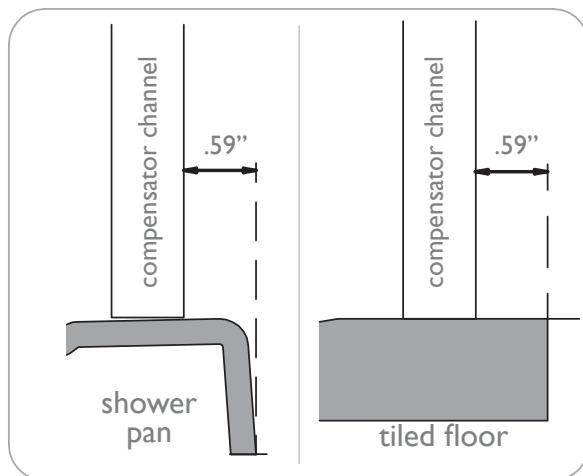
9 Insert the door into the wall compensator



10 Opposing door: Remove door from compensator.

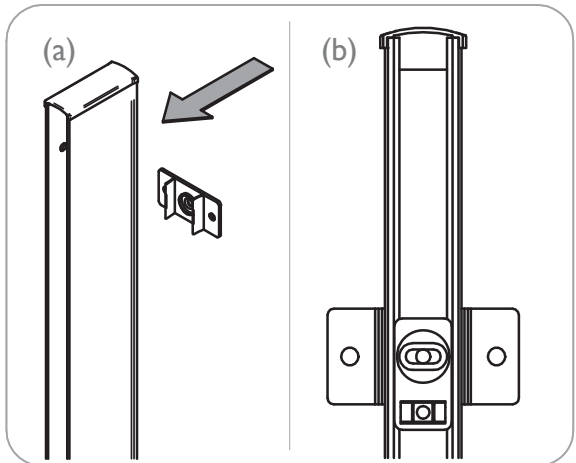


11 Select the correct curved foot for your installation:
 (a) shower pan
 (b) 1.18" - 1.38" wetrooms

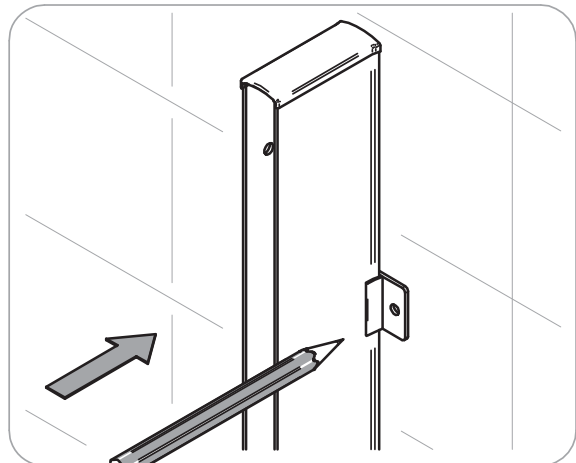


12 Position the compensator channel .59" inboard from the edge of the shower pan as shown.

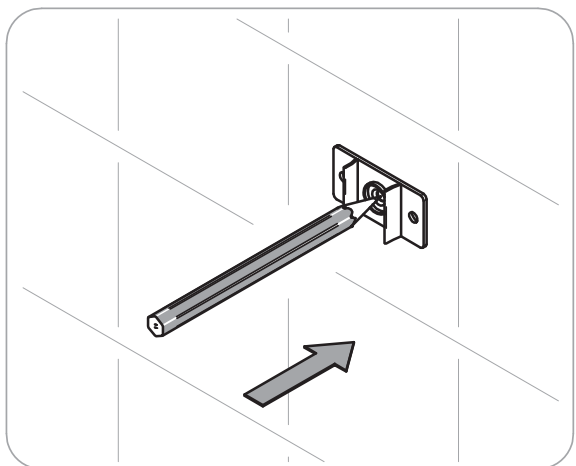
Installation - Premium Liberty Caregiver Doors



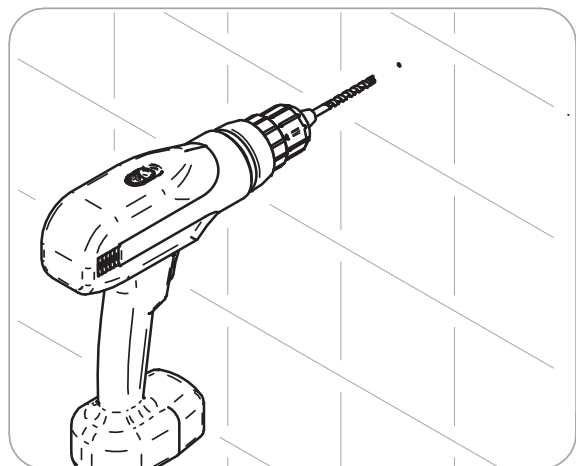
13 (a) Clip the two plastic locating plates in place.
(b) Align the spirit level bubble.



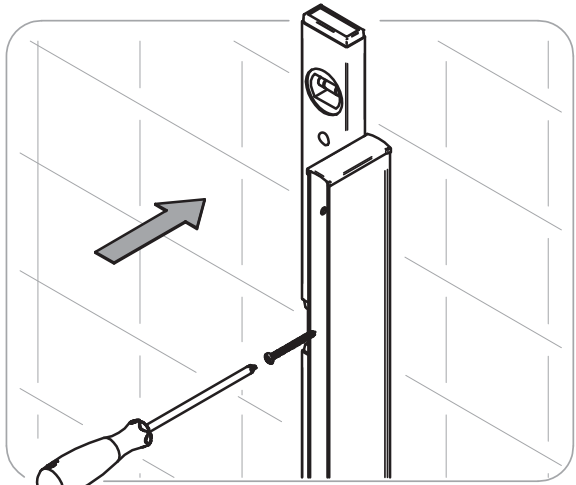
14 Mark the two alignment points, repeat for the lower fastener. **DO NOT DRILL MARKINGS**



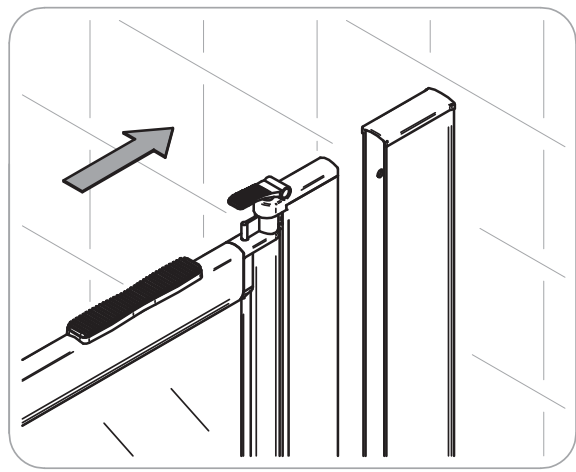
15 Unclip the marking plate and align with the previously marked points. Mark the center hole for drilling. **DO NOT DRILL OUTER POINTS**



16 Using a suitable drill bit, drill the upper and lower marked center points.

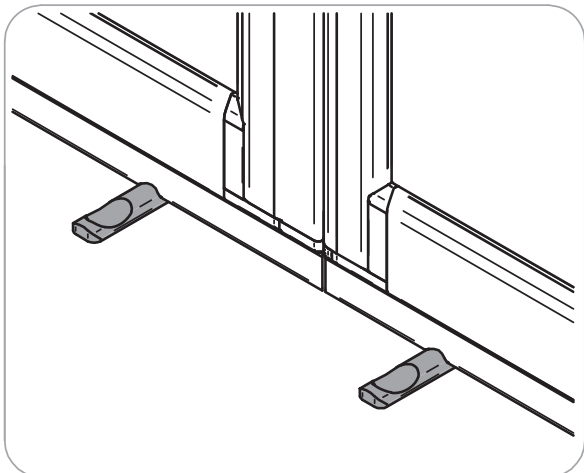


17 Using appropriate hardware, screw the wall channel into position, ensuring the channel remains vertical. Note: Screw plugs may be required

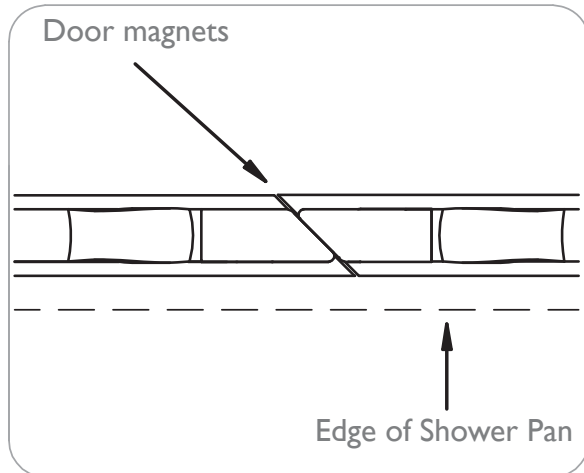


18 Insert the door into the wall compensator.

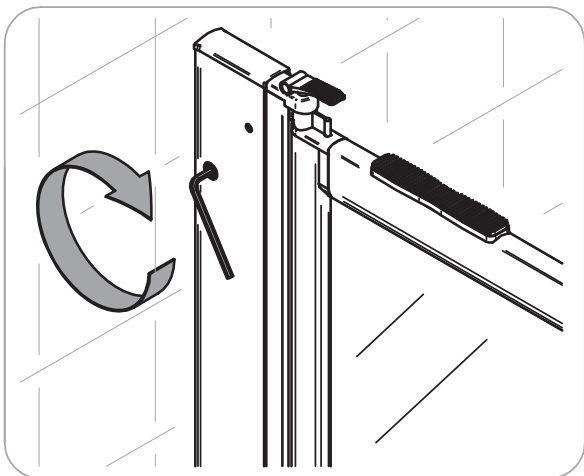
Installation - Premium Liberty Caregiver Doors



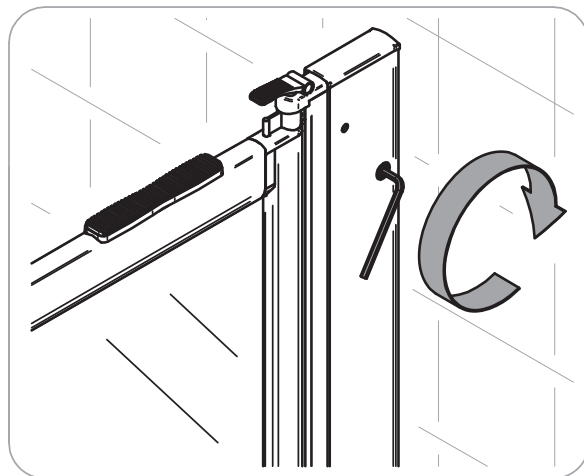
19 Allow doors to rest on door setters as shown. This ensures the doors are correctly height adjusted.



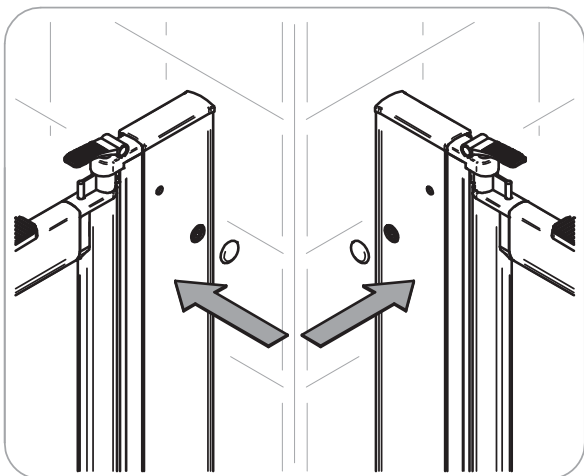
20 Align doors as shown. Magnets must meet and doors must be positioned on inside edge of shower pan.



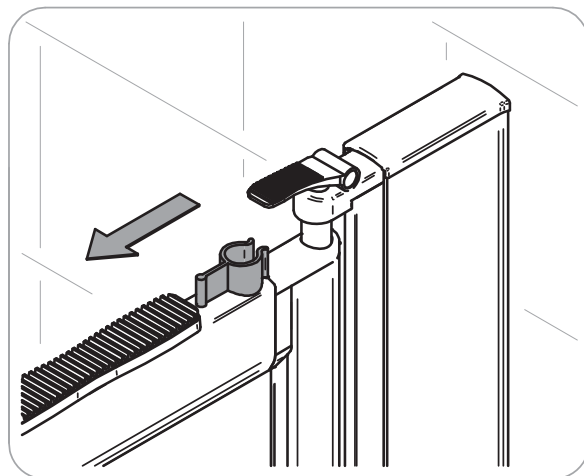
21 Once the doors are correctly aligned, tighten the upper and lower hex screws with the allen key provided.



22 Repeat this for the opposite door.

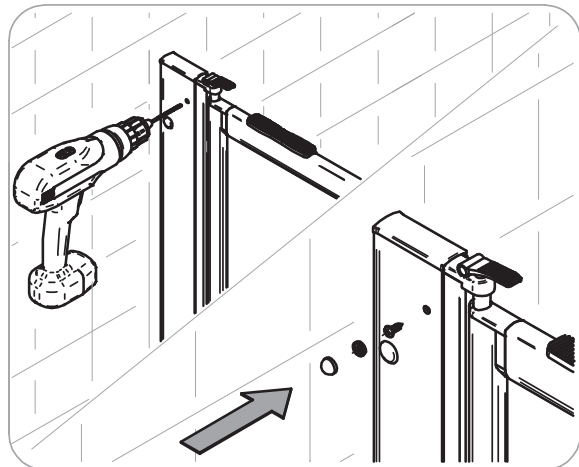


23 Push caps into place over hex screws (x4).

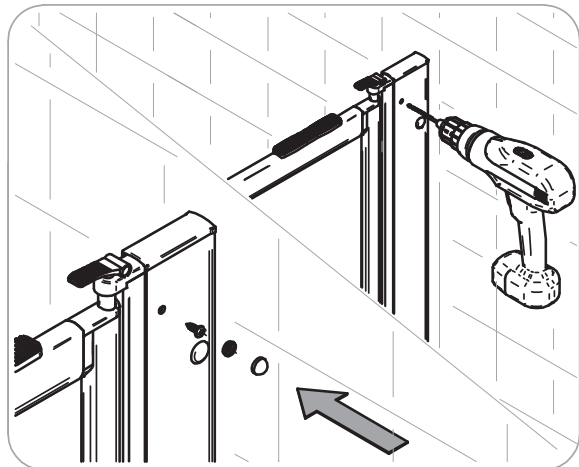


24 Drill (using a 3.5mm bit) and screw lockup holes (x2) in door compensator. Ensure screw caps are fitted.

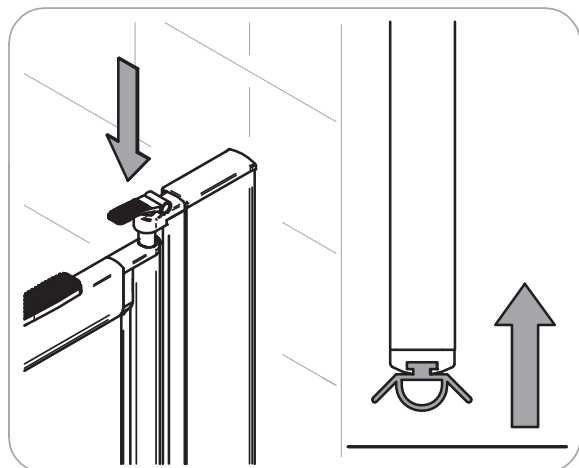
Installation - Premium Liberty Caregiver Doors



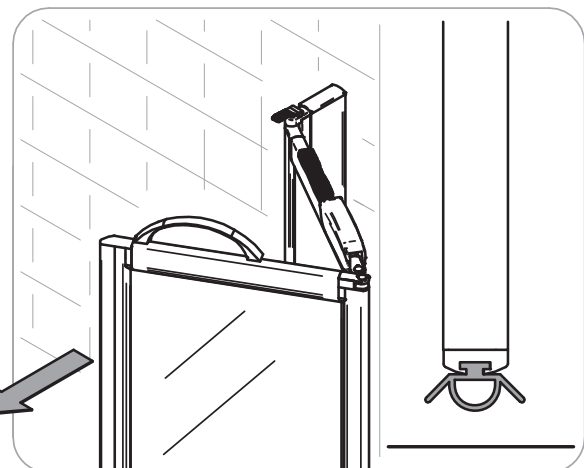
25 Drill (using a 3.5mm bit) and screw lockup holes (x2) in door compensator. Ensure screw caps are fitted.



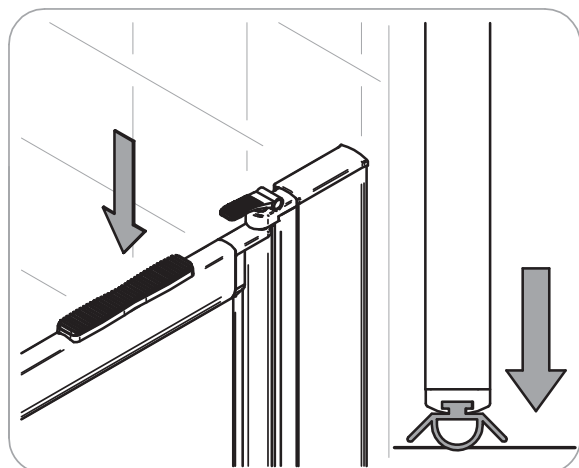
26 Repeat the last step for the opposing door. Ensure screw caps are fitted.



27 Press the release lever to raise the door.



28 Test the door operation to ensure the doors meet and the floor seal does not drag.



29 Press down on the push pad to latch the door in the down position again.

Silicone around the door

