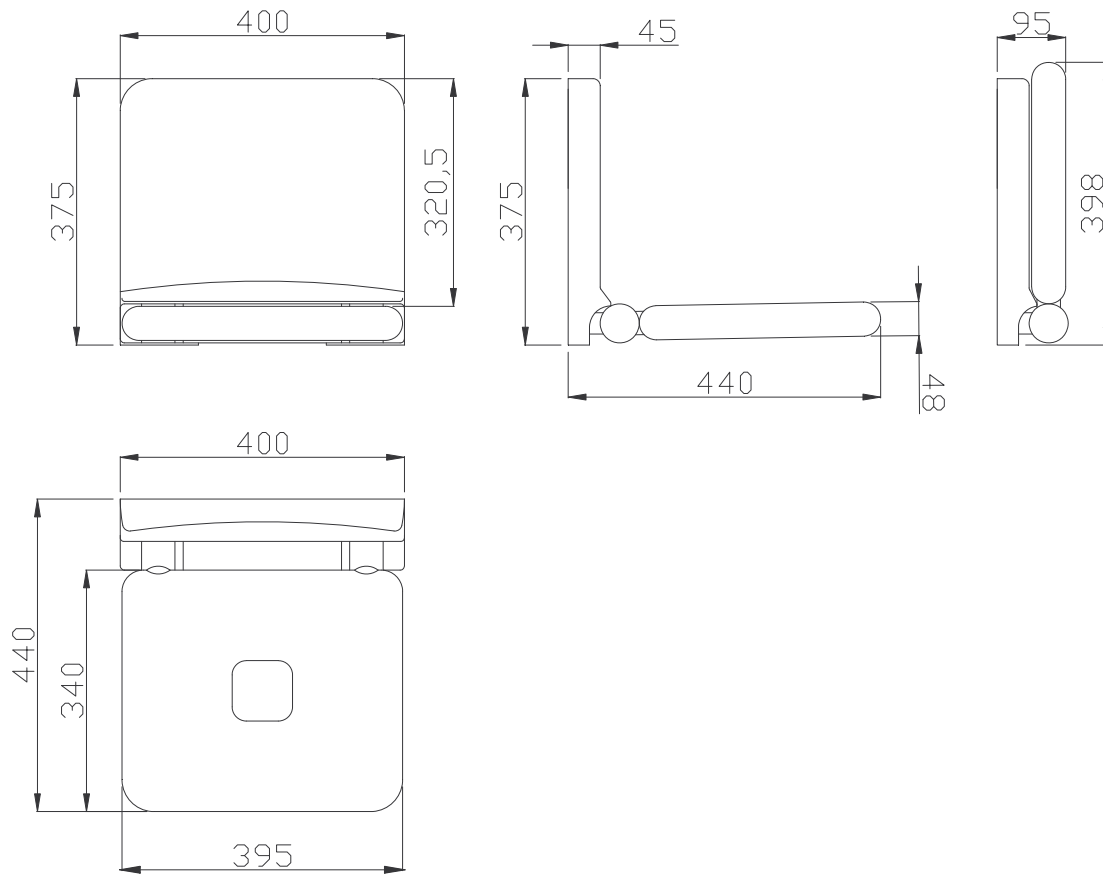


Basic Technical Data Sheet



Folding seat made of aluminium and covered with soft and warm-to-the-touch polyurethane

Product Code: **SF1518G**
 Capacity: 330 lbs.
 Net weight: 24 lbs.
 Dimensions (WxDxH): 15 3/4" x 17 5/16" x 14 3/4"

Use and Installation Info

Use: Wall Installation

Cleaning: Clean using pure water and home disinfectants which have been sufficiently diluted in water. Do not use abrasive detergents and trichloroethylene, oxygenated water or acetone-based solvents.

Fasteners: Not included with the product

We suggest to use fasteners suitable to the wall characteristics on which the product will be installed.

Available colors

Black, Gray, Light Green