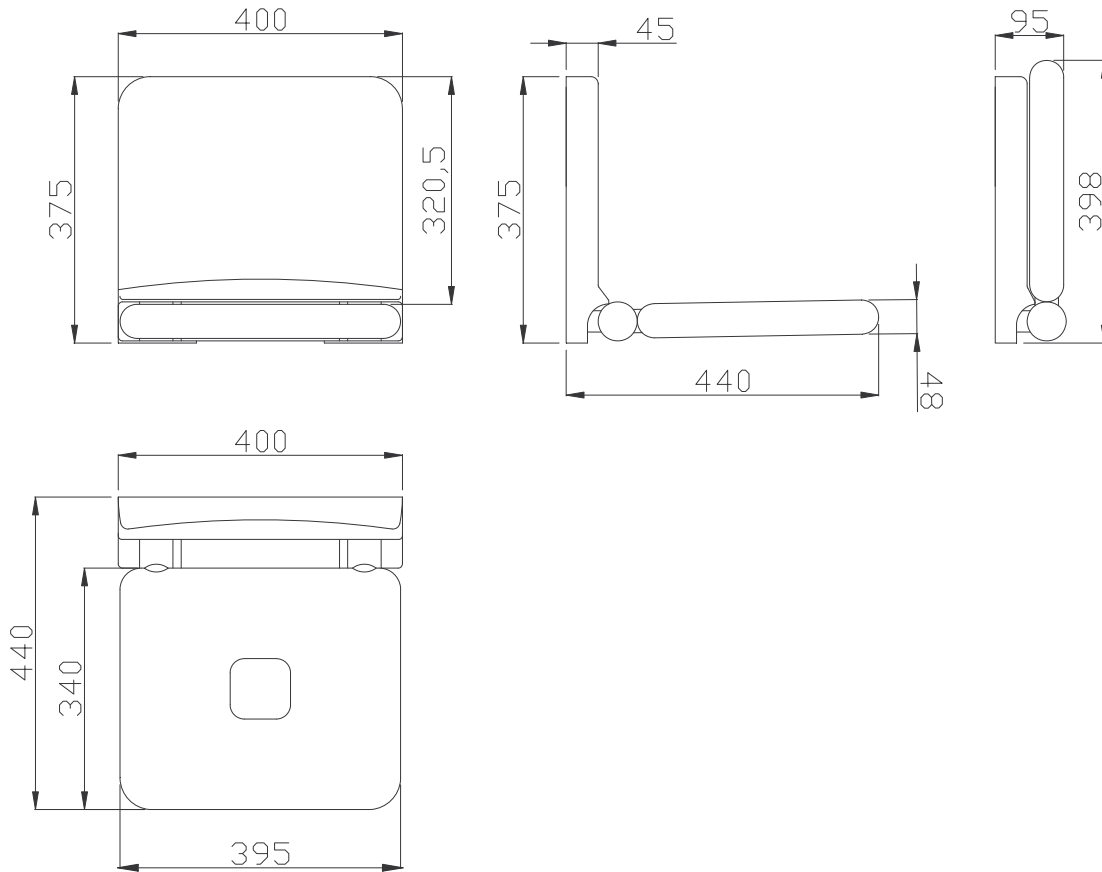


Basic Technical Data Sheet



Folding seat made of aluminium and covered with soft and warm-to-the-touch polyurethane

Product Code: **SF1518K**
 Capacity: 330 lbs.
 Net weight: 24 lbs.
 Dimensions (WxDxH): 15 3/4" x 17 5/16" x 14 3/4"

Use and Installation Info

Use: Wall Installation

Cleaning: Clean using pure water and home disinfectants which have been sufficiently diluted in water. Do not use abrasive detergents and trichloroethylene, oxygenated water or acetone-based solvents.

Fasteners: Not included with the product

We suggest to use fasteners suitable to the wall characteristics on which the product will be installed.

Available colors
 Black, Gray, Light Green

All herein data are subject to continuous technical updating. The manufacturer reserves the right to make change and improvements to the products herein described without any previous notice.