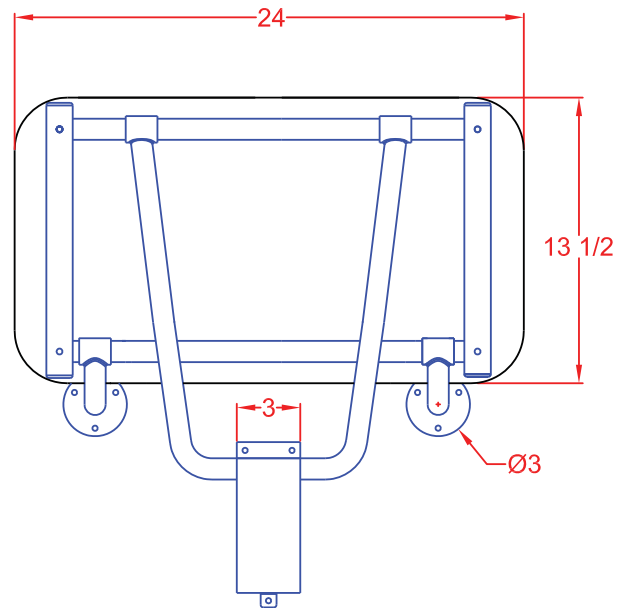
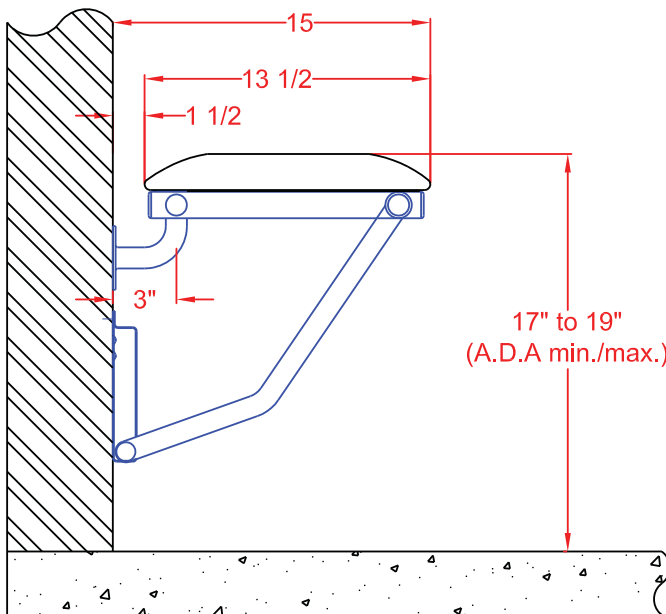


# Basic Technical Data Sheet



|                     |                         |
|---------------------|-------------------------|
| Product Code:       | <b>SF2415PW</b>         |
| Capacity:           | 250 lbs.                |
| Net weight:         | 19 lbs.                 |
| Dimensions (WxDxH): | 24" x 15" x (17" - 19") |

### Construction

**Frame:** Type 304 (18-8) stainless steel tubing, 1.25" (32mm) by 18 ga. (1.2mm) square main frame with 1" (25mm) by 18 ga. (1.2mm) round cross members.

**Wall Flanges:** Two type 304 (18-8) stainless steel flanges, 10 ga. (3.4mm) by 3" (76mm) diameter, heliarc welded to 1" (25mm) round by 18 ga. (1.2mm) 90 degree leg supports, and to 1.25" (32mm) round by 12 ga. (2.7mm) frame hinge couplings. Three mounting holes in each flange.

**Support Legs:** Type 304 (18-8) stainless steel tubing, 1" (25mm) by 18 ga. (1.2mm), heliarc welded to 1.25" (32mm) round by 12 ga. (2.7mm) frame hinge couplings.

Constant friction wall mounted bracket guides "u"-shaped leg freely up and down, resulting in a low pressure contact spring action to raise and lower seat. Seat is automatically held in a raised position by a positive stop friction spring guide bracket.

### Use and Installation Info

Use: Wall Installation

**Fasteners:** Included with the product We suggest to use fasteners suitable to the wall characteristics on which the product will be installed. ADA mounting height for lowered seat is 17" to 19".

### Available colors

Padded White, White Phenolic, Teak Phenolic, White High Density Polyethelene

All herein data are subject to continuous technical updating. The manufacturer reserves the right to make change and improvements to the products herein described without any previous notice.