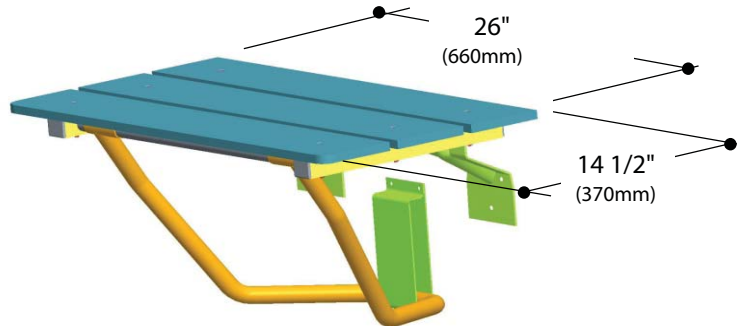


Basic Technical Data Sheet



Folding shower from 1" (25mm) diameter, 18 gauge and 1 1/4" (32mm) X 1 1/4" (32mm), 16 gauge, type 304 stainless steel tubing with #4 satin finish.

Two wall mount brackets shall be 12 gauge type 304 stainless steel.

The third support bracket shall be 18 gauge type 304 stainless steel.

Solid Phenolic seat slats shall be 1/2" (13mm) thick and 4 7/16" (111mm) wide and shall be fire and mildew resistant.

Seat unit shall comply with all applicable Federal and local building and safety codes.



Product Code: **SF2615T**

Capacity: 400 lbs.

Dimensions (WxD): 26" x 14.5"

Use and Installation Info

Use: Wall Installation

Cleaning: Clean using pure water and home disinfectants which have been sufficiently diluted in water. Do not use abrasive detergents and trichloroethylene, oxygenated water or acetone-based solvents.

Fasteners: Included with the product

We suggest to use fasteners suitable to the wall characteristics on which the product will be installed.

Available colors

Teak Phenolic, White Phenolic and Padded White