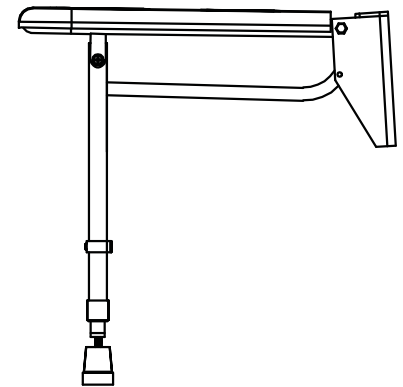
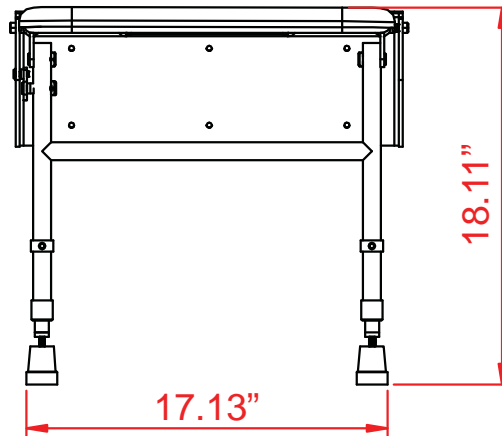
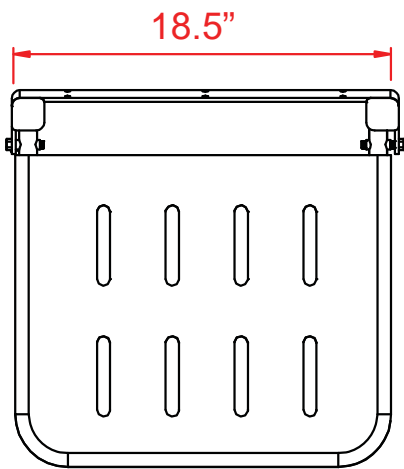


Basic Technical Data Sheet



Product Code:

SFL1919W

Capacity:

418 lbs.

Dimensions (WxDxH):

18 1/2" x 18 1/2" x (18 1/8" - 21 1/4")

Additional Details:

Lightweight aluminium frame, folds up when not in use. Wall fixed with adjustable legs.

Use and Installation Info

Use:

Wall Installation

Cleaning:

Clean using pure water and home disinfectants which have been sufficiently diluted in water. Do not use abrasive detergents and trichloroethylene, oxygenated water or acetone-based solvents.

Fasteners:

Not included with the product

We suggest to use fasteners suitable to the wall characteristics on which the product will be installed.

This shower seat is competitively priced solution without loss of quality or function. The wall fixed shower seat is height adjustable (in 25 mm increments) enabling it to be set at various heights to suit the user's needs, while the shower seat itself can be folded away when not in use. The legs have fine height adjustments to compensate for any variations in the shower tray. The injection moulded shower seat can be clipped on and off for easy cleaning.