

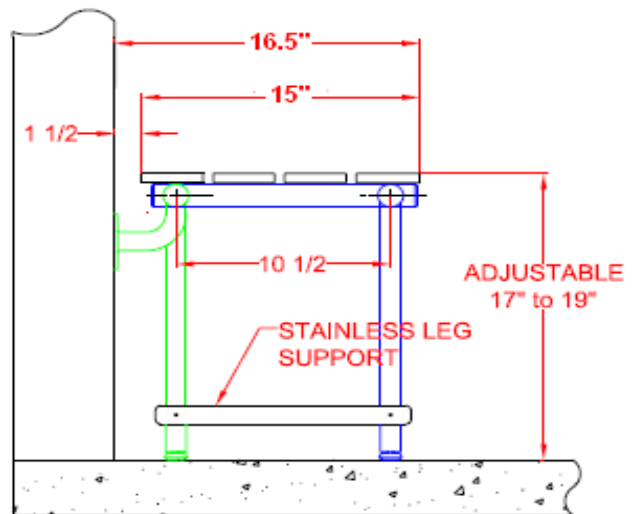
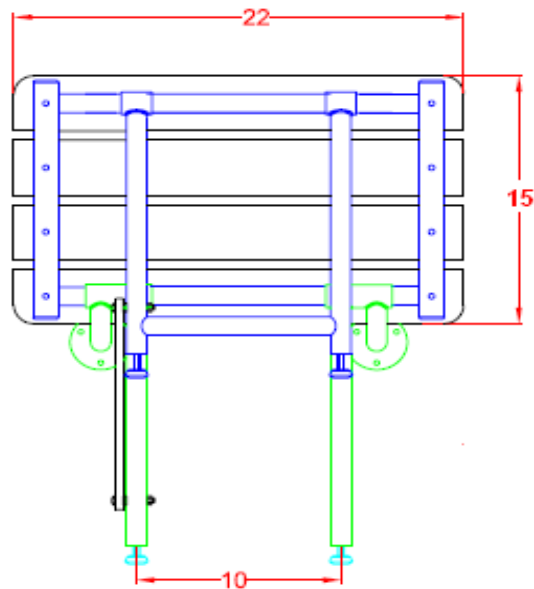
G: 28% K 8 D'

K ccX'DUHYfb'D\ Ybc`JW6 YbW 'G\ ck Yf'GYUik jH 'GHUjb`Ygg'
 GHYY`Gk]b[!8 ck b`@Y[g!'&&'I`%`''

GdYWZjWUjcbg

Rectangular, bench style folding seat. Phenolic seats offer superior durability for institutional and residential applications.

- 4 Swing Down Legs
- Adjustable height rubber floor protectors
- Constructed of 304 Stainless Steel.
- Frame tubing is at least 18 gauge (1.2 mm)
- Heliaric welding
- Wall Flanges:
 Two 3" diameter x 10 gauge plates each with
 3 mounting holes
- Four heavy duty 1/2" thick phenolic slats bolted to frame
- Completely waterproof
- Color: Wood Pattern
- Base Measurements: 22" x 16"



This information is subject to change without formal notice

Effective Date: 08.26.09