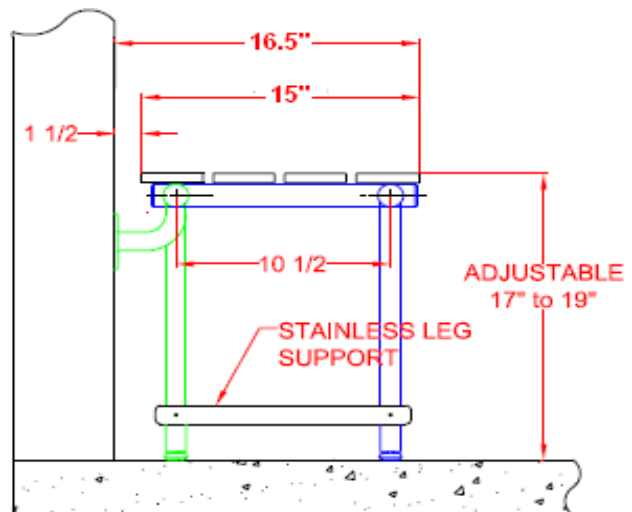
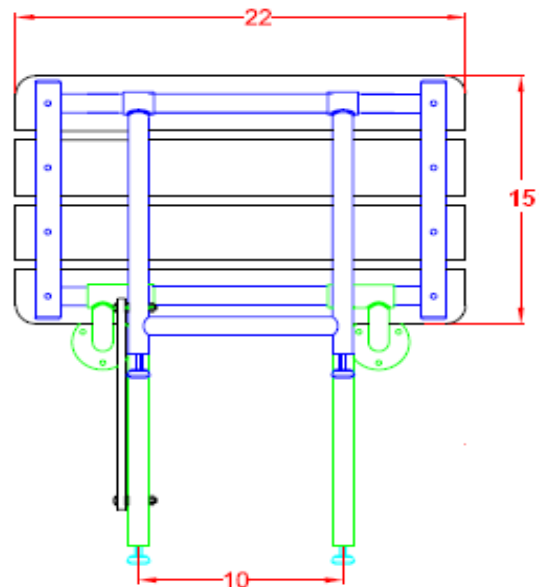


SFL2216WHP White Phenolic Bench Shower Seat with Stainless Steel Swing-Down Legs - 22" x 16"

Specifications

Rectangular, bench style folding seat. Phenolic seats offer superior durability for institutional and residential applications.

- 4 Swing Down Legs
- Adjustable height rubber floor protectors
- Constructed of 304 Stainless Steel.
- Frame tubing is at least 18 gauge (1.2 mm)
- Heliaric welding
- Wall Flanges:
 - Two 3" diameter x 10 gauge plates each with 3 mounting holes
- Four heavy duty 1/2" thick phenolic slats bolted to frame
- Completely waterproof
- Color: White
- Base Measurements: 22" x 16"



This information is subject to change without formal notice

Effective Date: 08.26.09