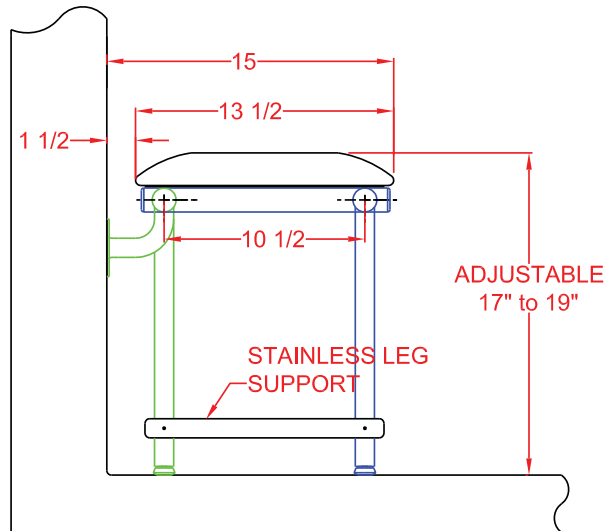
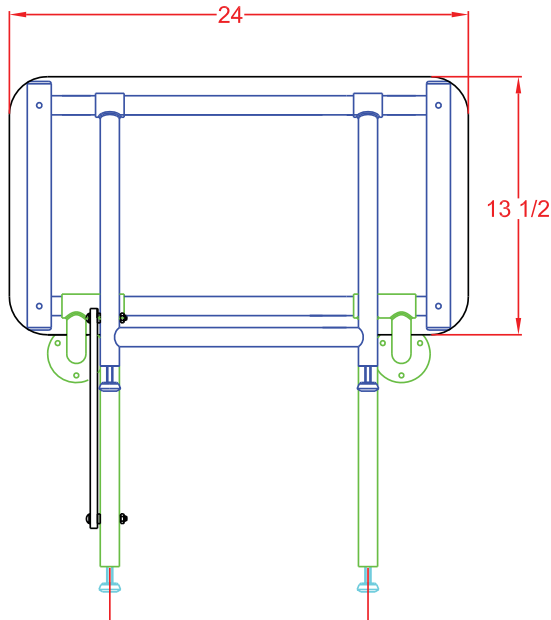


Basic Technical Data Sheet



Product Code:	SFL2415PW
Capacity:	900 lbs.
Net weight:	22 lbs.
Dimensions (WxDxH):	24" x 15" x (17" - 19")

Construction

Frame: Type 304 (18-8) stainless steel tubing, 1.25" (32mm) by 18 ga. (1.2mm) square main frame with 1" (25mm) by 18 ga. (1.2mm) round cross members.

Wall Flanges: Two type 304 (18-8) stainless steel flanges, 10 ga. (3.4mm) by 3" (76mm) diameter, heliarc welded to 1" (25mm) round by 18 ga. (1.2mm) 90 degree leg supports, and to 1.25" (32mm) round by 12 ga. (2.7mm) frame hinge couplings. Three mounting holes in each flange.

Swing Down Leg: "H" shaped yoke of type 304 (18-8) stainless steel tubing, 1" (25mm) by 18 ga. (1.2mm), heliarc welded to 1.25" (32mm) round by 12 ga. (2.7mm) frame hinge couplings.

Seat is automatically held in a raised position by a stainless cross member attached to the front and rear support legs. When the seat is lowered into its down position the swing down leg automatically aligns the front and rear support legs with the help of the stainless cross member.

Available colors

Padded White, White Phenolic, Teak Phenolic, White High Density Polyethylene

Use and Installation Info

Use: Wall Installation

Fasteners: Included with the product We suggest to use fasteners suitable to the wall characteristics on which the product will be installed. ADA mounting height for lowered seat is 17" to 19".