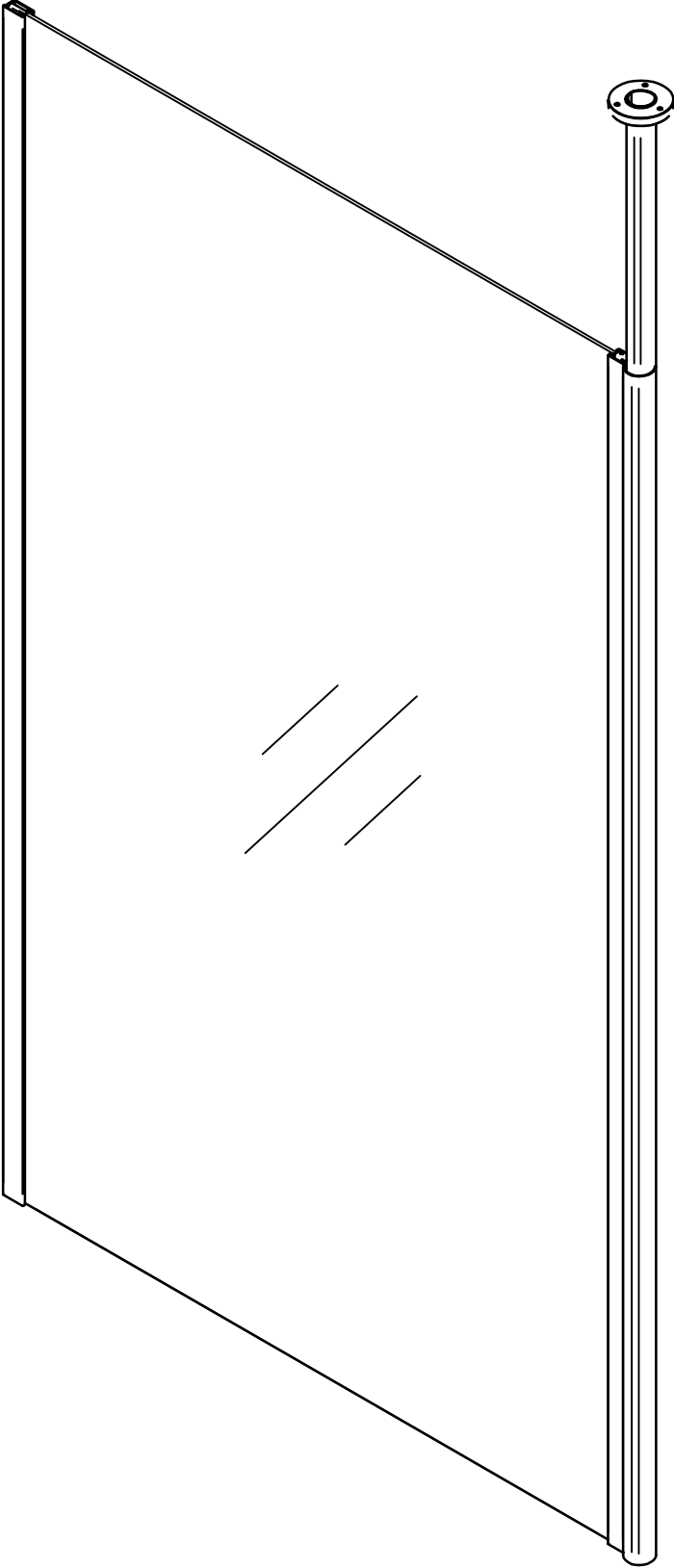




TRENDING  
ACCESSIBILITY

# Fusion Wet Room Shower Panels Installation Guide





Please read these installation instructions carefully and keep for future reference. Incorrect fitting will invalidate the guarantee.

**Glass Shower Panel is suitable for use with shower trays or wetroom floor systems**

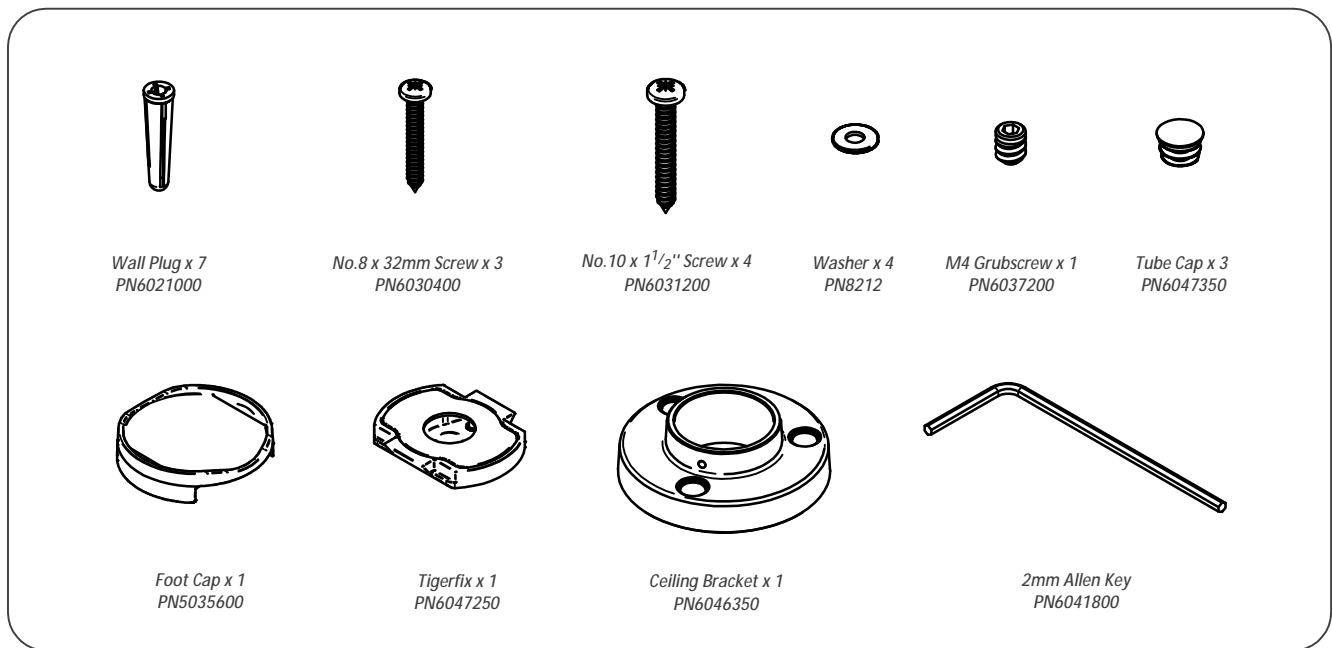
**SAFETY**

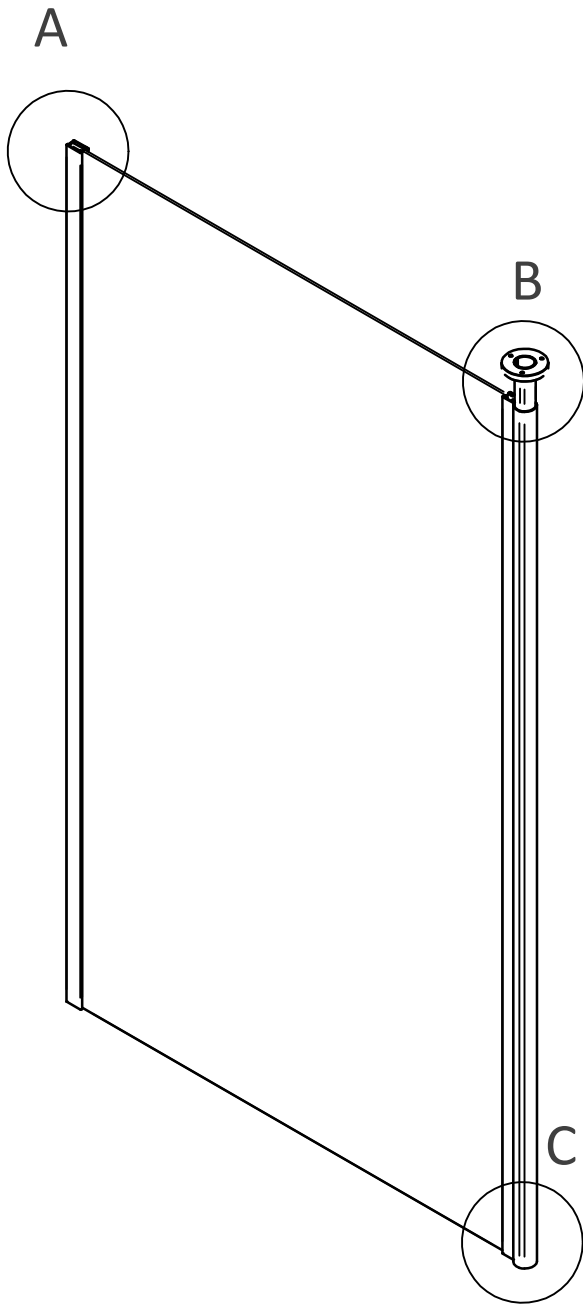
- Handle glass with care. Although the glass is very tough, sharp impacts can damage both the glass and metal frame.
- Do not remove the plastic corner protectors from the glass panels until the panels are about to be fitted
- As the parts are large, we recommend that two people are needed to carry out parts of the installation.
- Make sure there are no hidden pipes or cables in the floor and walls where you intend to drill.
- Wear safety goggles, shoes and appropriate clothing.
- If you are unsure about any part of the installation, please contact our technical department: **01252 634411**

**EQUIPMENT NEEDED:**

Spirit level, pencil, crosshead screwdriver, silicone sealant, tape measure, knife, power drill, scissors and selection of drill bits.

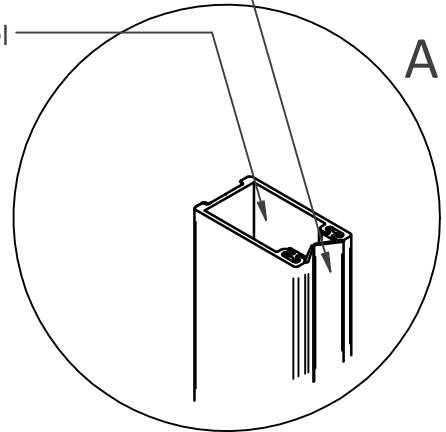
**SCREW PACK**





Flipper Seal x 4  
PN4016605

Wall Channel  
PN1075450



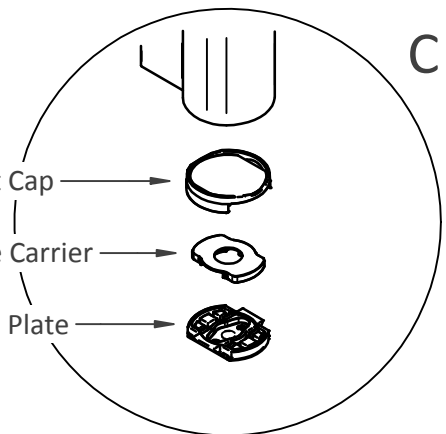
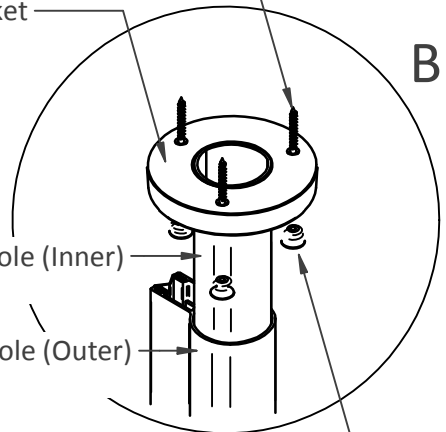
Screws

Ceiling Bracket

Telescopic Pole (Inner)  
PN1098650

Telescopic Pole (Outer)  
PN1098550

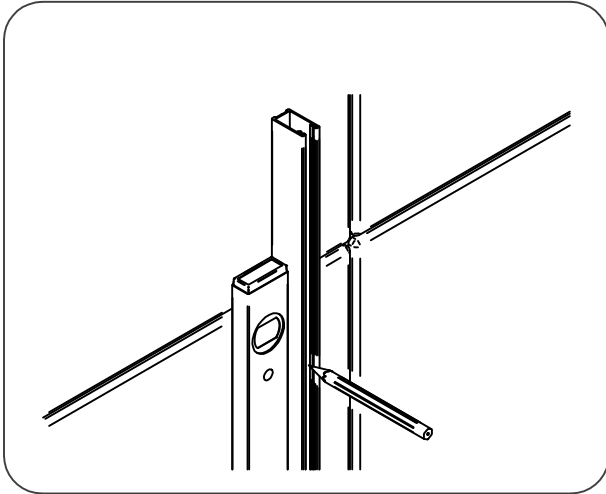
Tube Caps



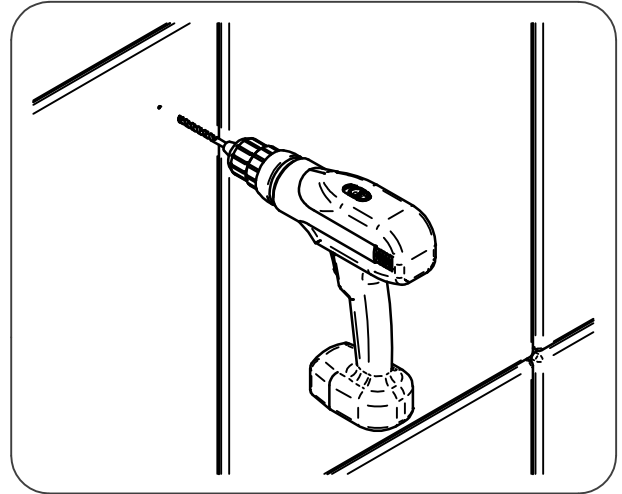
Tigerfix Foot Cap

Tigerfix Glue Carrier

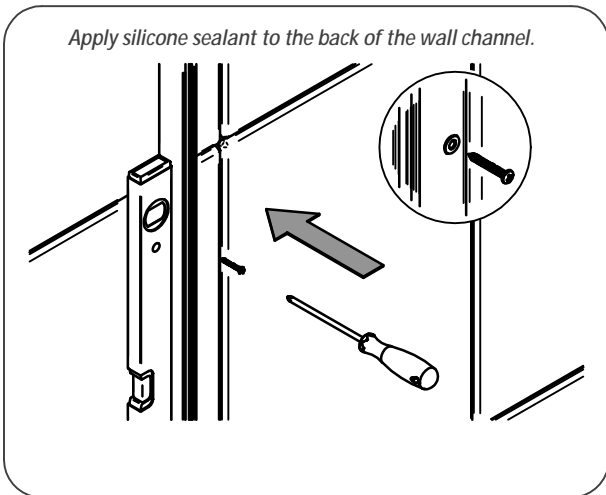
Tigerfix Wall Plate



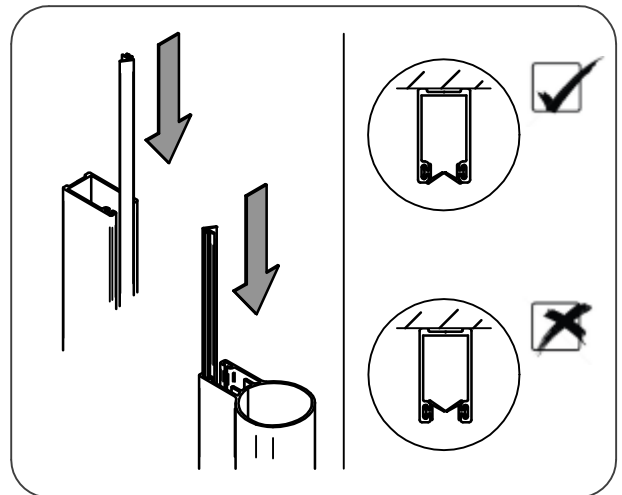
**1** Place the wall channel in desired location and mark position of the four holes onto the wall.



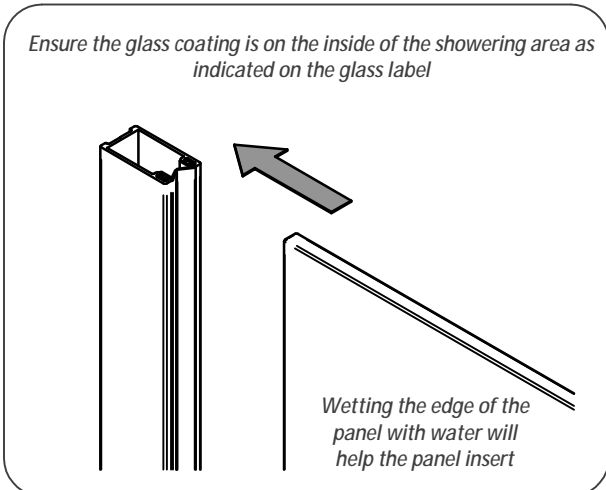
**2** Using a 6mm drill bit, drill the marked holes and insert the wall plugs if required.



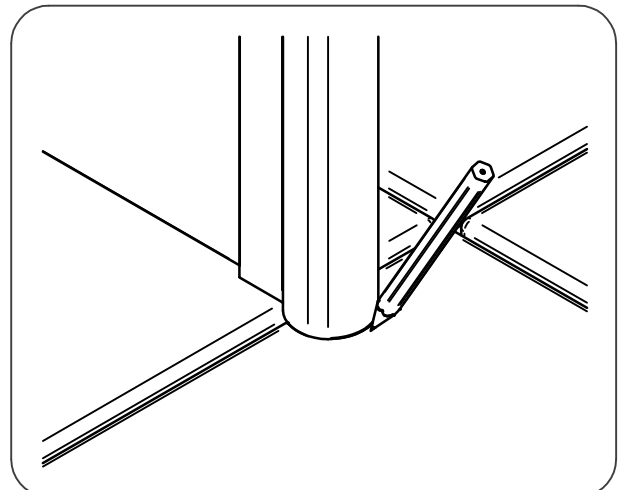
**3** Place the washers over the 1<sup>1</sup>/<sub>2</sub>" screws and screw the wall channel into position, ensuring it remains vertical.



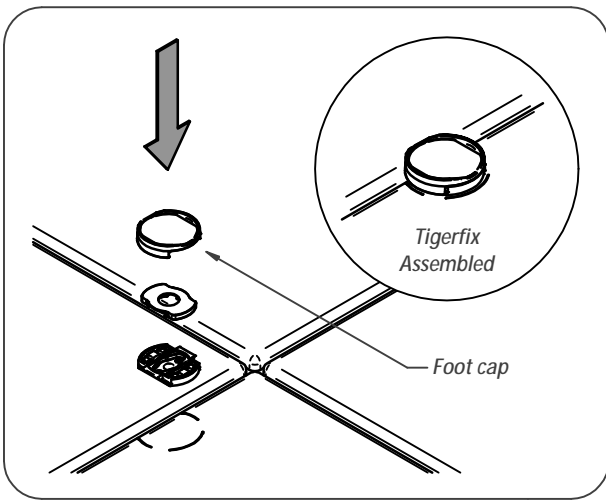
**4** Slide both seals down into the channel and cut off any excess. Note the orientation of the soft flippers.



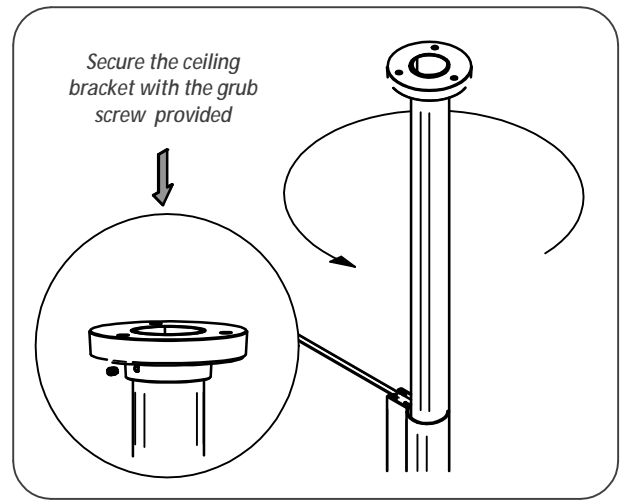
**5** Place the glass panel into the wall channel (correct way around) and temporarily attach the floor to ceiling pole.



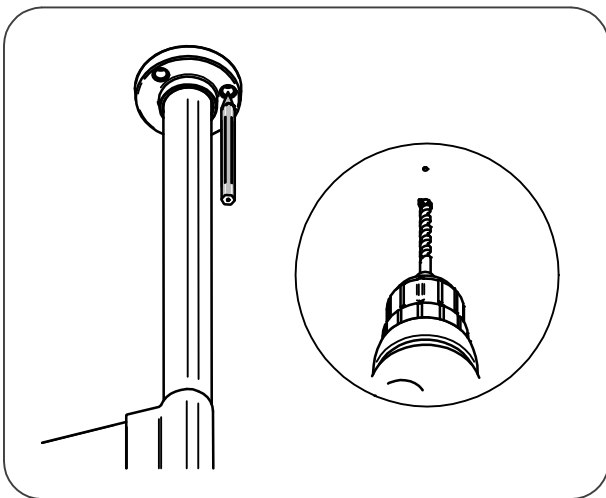
**6** Mark location of the floor to ceiling pole as shown.



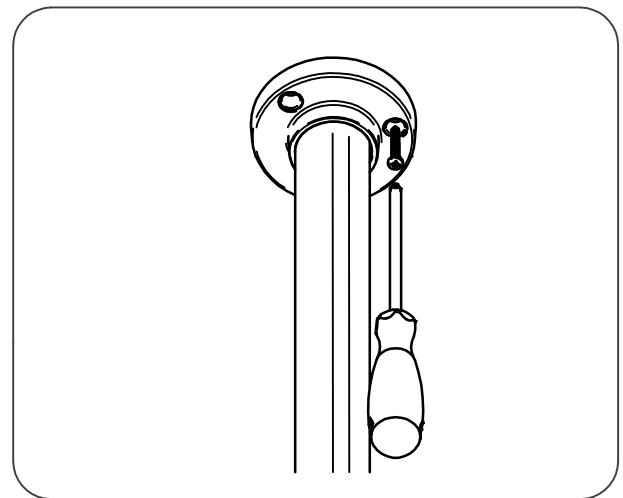
**7** Attach the Tigerfix to the floor within the marked area, leave for 30 minutes to cure.



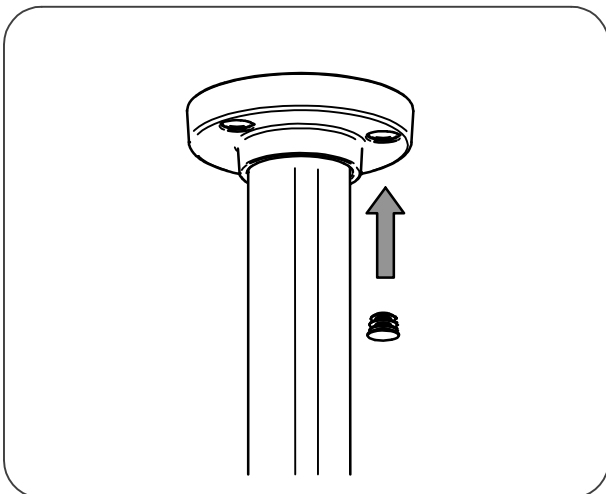
**8** Fit the ceiling bracket to the inner pole. Then extend the pole to required height and rotate it until it locks in the position.



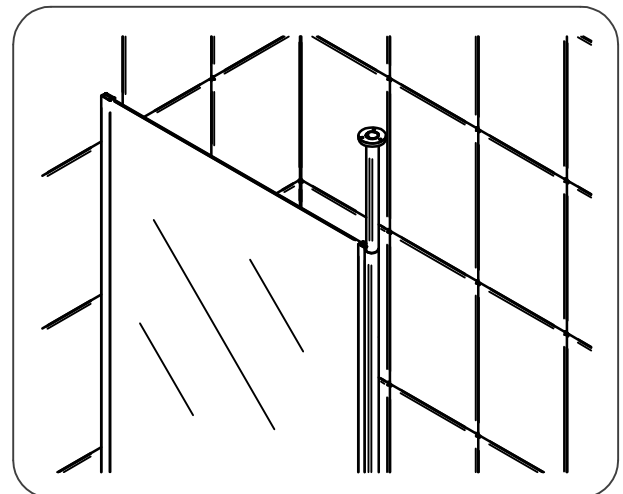
**9** Mark the position of the holes on the ceiling, unlock and lower the inner pole, then drill the positions marked.



**10** Raise the inner pole, lock in position and screw the ceiling bracket in place.



**11** Push fit the tube caps.



**12** The installation of the Glass Shower Panel is now finished.