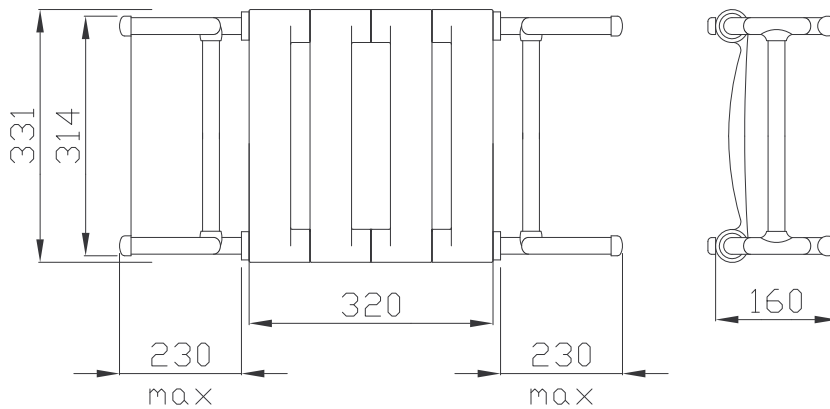
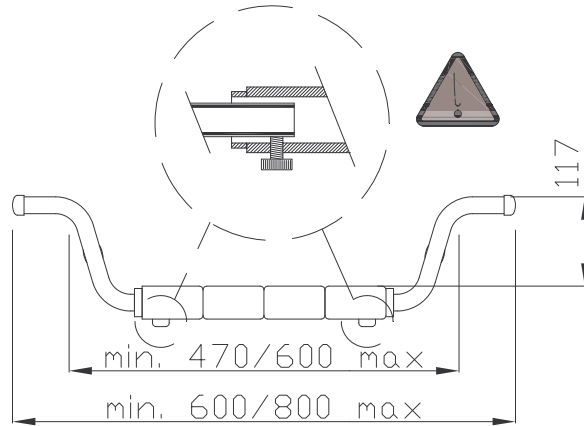


Basic Technical Data Sheet



Removable seat with nylon slats, made of zinc-plated steel pipe, coated with biocompatible, warm-to-the-touch vinyl.

Product Code: **ST3219W**
 Capacity: 330 lbs.
 Net weight: 19 lbs.
 Dimensions (WxDxH): 31 1/2" x 13 1/32" x 6 5/16"

Use and Installation Info

Use: Support
 Cleaning: Clean using pure water and home disinfectants which have been sufficiently diluted in water. Do not use abrasive detergents and trichloroethylene, oxygenated water or acetone-based solvents.

Fasteners: FischerSX 8 6x70 N.A.

We suggest to use fasteners suitable to the wall characteristics on which the product will be installed.

Available colors

Blue, Light Blue, Red, Black, Gray, Dark Gray, Green, Light Green, Ivory, Biscuit, Prune, White, Yellow, Light Yellow



All herein data are subject to continuous technical updating. The manufacturer reserves the right to make change and improvements to the products herein described without any previous notice.