

Basic Technical Data Sheet

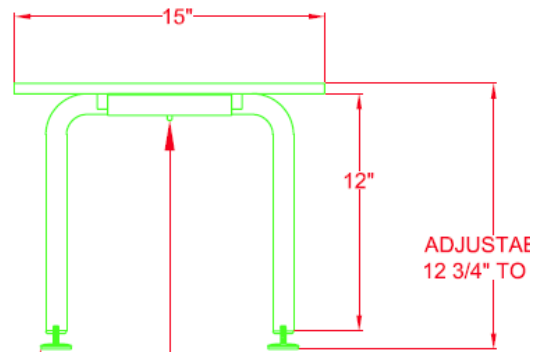
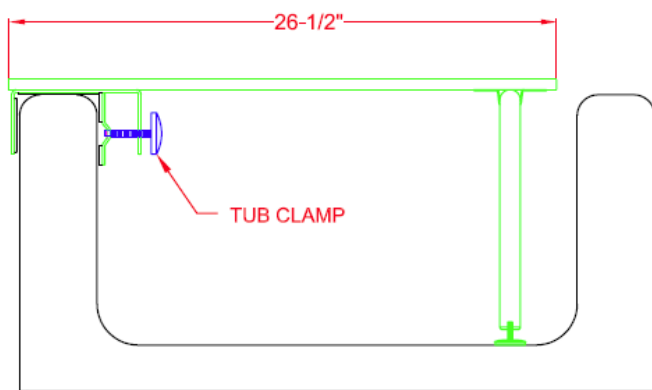
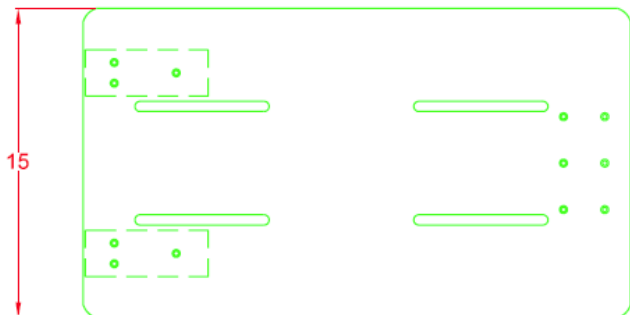
MATERIAL:

SEAT... 1/2" Phenolic, White or Teak Finish

LEG... 1" Dia. x 18 ga. 304 Stainless Steel with Adjustable Leg Height, 12-3/4" to 14".

TUB CLAMP... Adjustable 3-3/4" to 5-3/4"
10 ga. 304 Stainless Steel, Rubber Lined.

Note: This seat is Designed to Universally fit the four (4) tubs used by NYHA, American Standard - Princeton Kohler - Villager K-15 Crane - San Marcos Elger



ADJUSTABLE RUBBER FEET
5/16-18 x 3-1/2" LONG STUD
WITH LOCKING NUT.

FOR USE: SWING DOWN LEGS,
LOCKING PIN WILL AUTOMATIC
HOLD THE LEGS IN PLACE.



Product Code:

STL1527T

Description:

Removable Tub Seat with legs, Phenolic Teak

Dimensions:

15" x 26.5"

Use and Installation Info

Use:

Removable

Cleaning:

Clean using pure water and home disinfectants which have been sufficiently diluted in water. Do not use abrasive detergents and trichloroethylene, oxygenated water or acetone-based solvents.

Fasteners:

n/a

We suggest to use fasteners suitable to the wall characteristics on which the product will be installed.

