



TAP 4836 BF 4P .875

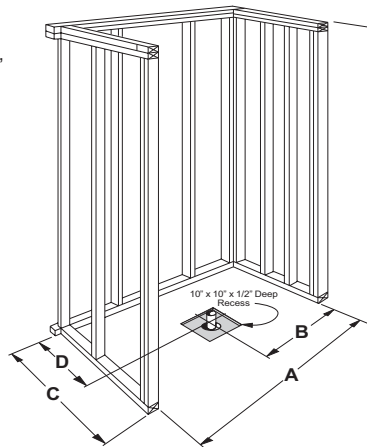
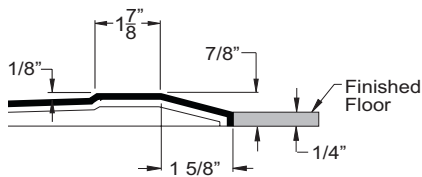
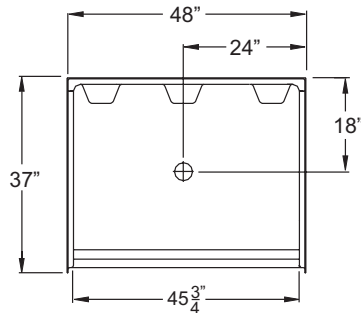
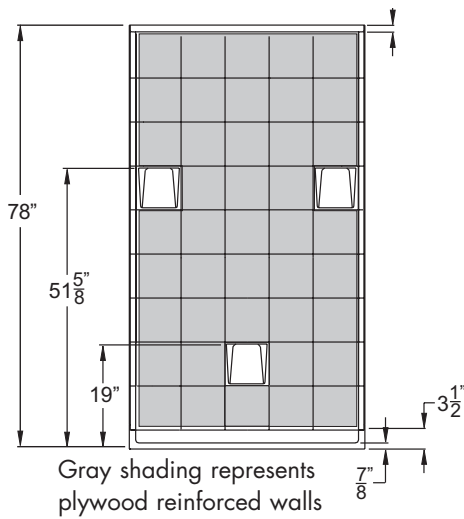
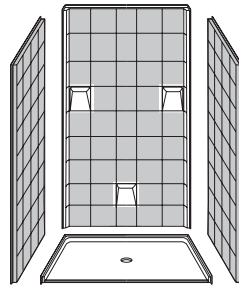
OD: 48" x 37" x 78"

Enclosure: up to 45.75" x 72.75"

Threshold: 7/8" Change of Level*

Handed By: Center Drain

* Change of Level Threshold has a manageable 1/4" vertical rise to easily coordinate with minimum finished flooring.



	A	B	C	D
4836 4P	48 1/4"	24 1/8"	37 1/4"	18 1/8"

PACKAGING DETAILS



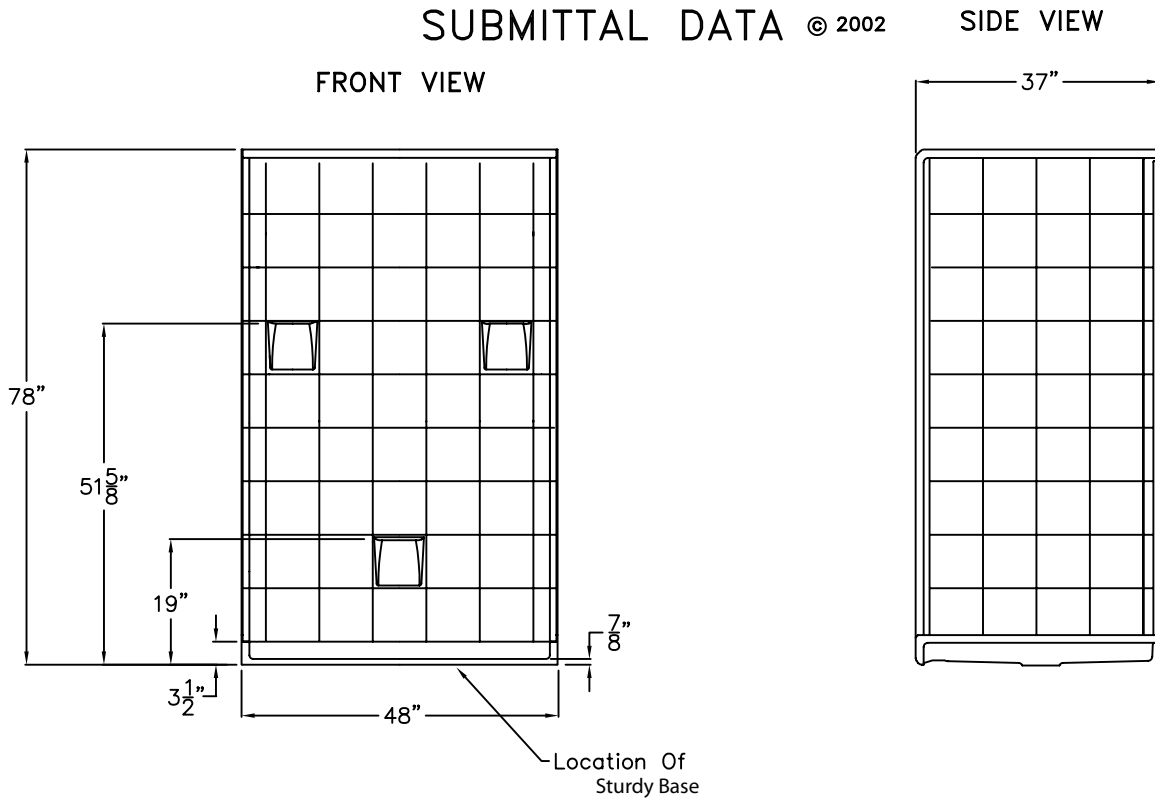
- Compact, Durable Carton Packaging for Easy Handling

**TRENDING
ACCESSIBILITY**



856-488-9535
www.TrendingAccessibility.com

TRENDING ACCESSIBILITY
SUBMITTAL DATA © 2002

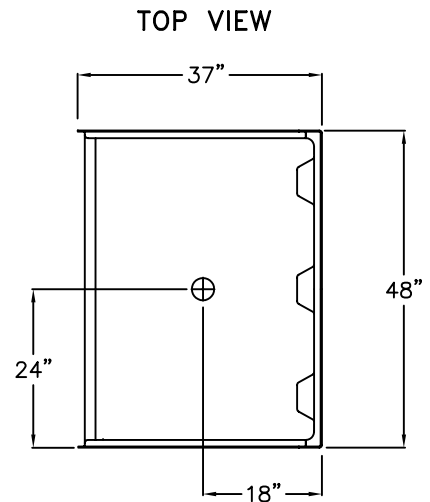


Sectional Shower Stall

The shower enclosure shall be 4836 BF 4P .875, center drain. Finished surface shall be of a sanitary-grade polyester Gelcoat exhibiting a minimal thickness of 15 dry mils, and a finished cured Barcol hardness of 80-90 as tested with ASTM D-2583. Unit construction shall be of molded reinforced fiberglass with a 15% minimum fiberglass content. The unit shall have outside dimensions of 48" x 37" x 78". The four piece unit shall meet ANSI 124.2, NAHB, UPC, and shall meet the requirements of Southern Building Code.

The enclosure shall be equipped with the following installed accessories:

- 1) 1/2" thick oriented strand board full wood backing on the back wall,
- 2) 1/2" thick oriented strand board full wood backing on both side walls,
- 3) two molded soap dishes, 4) one lower leg ledge centered on back wall,
- 5) tile finish, 6) four piece design, 7) 7/8" Threshold,
- 8) Factory installed self sustaining bottom.



DUE TO THE NATURE OF THE MATERIALS INVOLVED
UNIT DIMENSIONS MAY VARY ± 1/2 INCH

TRENDING ACCESSIBILITY

Model No.:

Drawing#: TAP4836 BF .875 Bare

Approved by:

Date Approved:

Date: 3-31-09

Revised: 12-20-10

Rep.:

Wholesaler:

Quote No.

Recyclable Paper

Detail of 7/8" Threshold

