



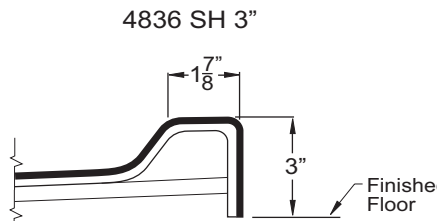
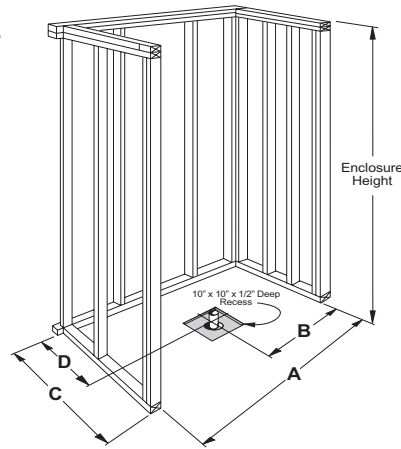
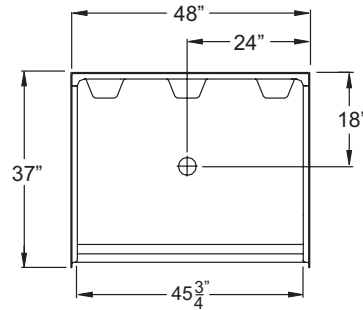
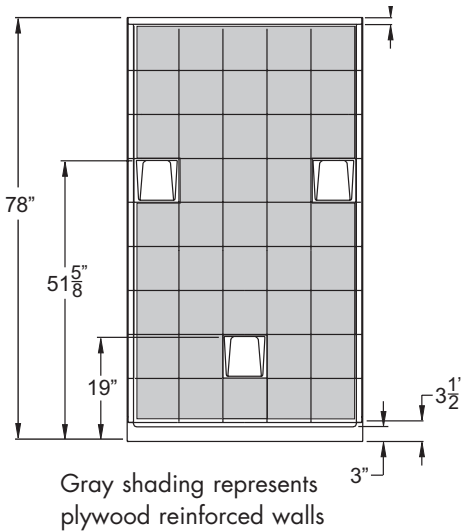
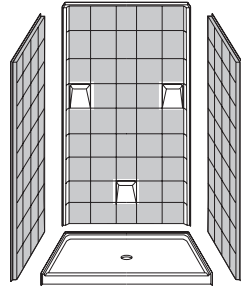
TAP 4836 SH 4P 3.0

OD: 48" x 37" x 78"

Enclosure: up to 45.75" x 72.75"

Threshold: 3" Easy Step Dam

Handed By: Center Drain



	A	B	C	D
4836 4P	48 1/4"	24 1/8"	37 1/4"	18 1/8"

PACKAGING DETAILS



- Compact, Durable Carton Packaging for Easy Handling

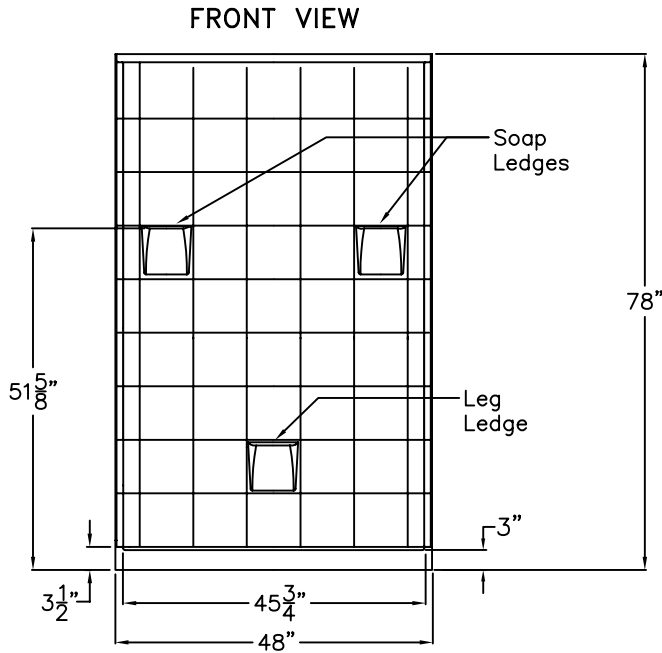
TRENDING ACCESSIBILITY



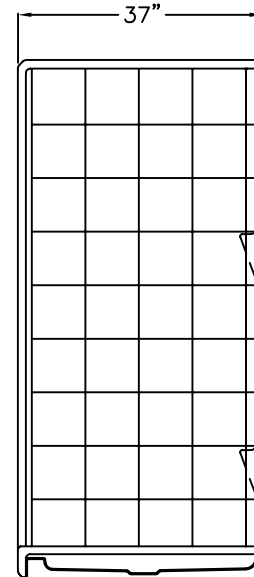
856-488-9535

www.TrendingAccessibility.com

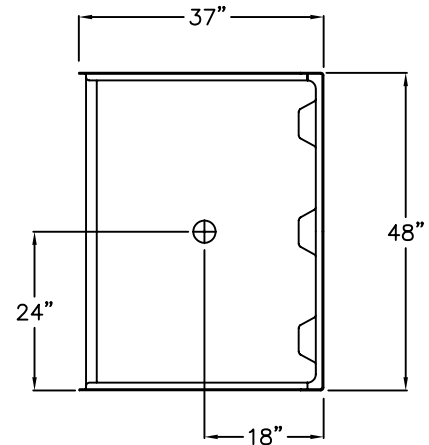
TRENDING ACCESSIBILITY
SUBMITTAL DATA © 2002



SIDE VIEW



TOP VIEW



Sectional Shower Stall

The shower enclosure shall be 4836 SH 3.0" 4 Piece with center drain. Finished surface shall be of a sanitary-grade polyester Gelcoat exhibiting a minimal thickness of 15 dry mils, and a finished cured Barcol hardness of 80-90 as tested with ASTM D-2583. Unit construction shall be of molded reinforced fiberglass with a 15% minimum fiberglass content. The unit shall have outside dimensions of 48" x 37" x 78". The four piece unit shall meet ANSI Z124.2, NAHB, UPC, and shall meet the requirements of Southern Building Code.

The enclosure shall be equipped with the following installed accessories:

- 1) 3.0" Theshold, 2) Tile Finish, 3) Three Molded Soap Dishes on Back Wall, 4) Center drain location, 5) Full wood backing on all walls.

DUE TO THE NATURE OF THE MATERIALS INVOLVED
UNIT DIMENSIONS MAY VARY ± 1/2 INCH

Job Name:		TRENDING ACCESSIBILITY	
Model No.:		Drawing#: TAP 4836 SH 4P 3.0 FWB	
Approved by:	Date Approved:	Date: 3-31-09	Revised: 5-25-10
Rep.:	Wholesaler:	Quote No.	