



TAP 5050 BF 5P 1.0

OD: 50.25" x 50.125" x 77.75"

Enclosure: up to 48.125" x 72.75"

Threshold: 1" Change of Level*

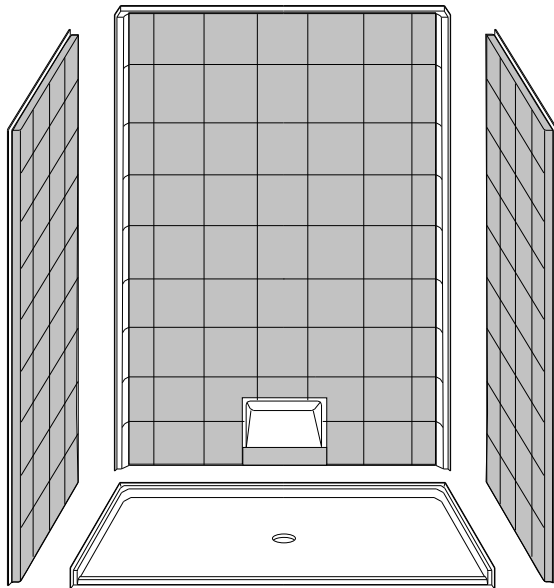
Handed By: Center Drain

Weight: 492

Load Factor: 2.66

Truck Load Factor: .80

* Change of Level Threshold has a manageable 1/4" vertical rise to easily coordinate with minimum finished flooring.



PACKAGING DETAILS



- Compact, Durable Carton Packaging for Easy Handling

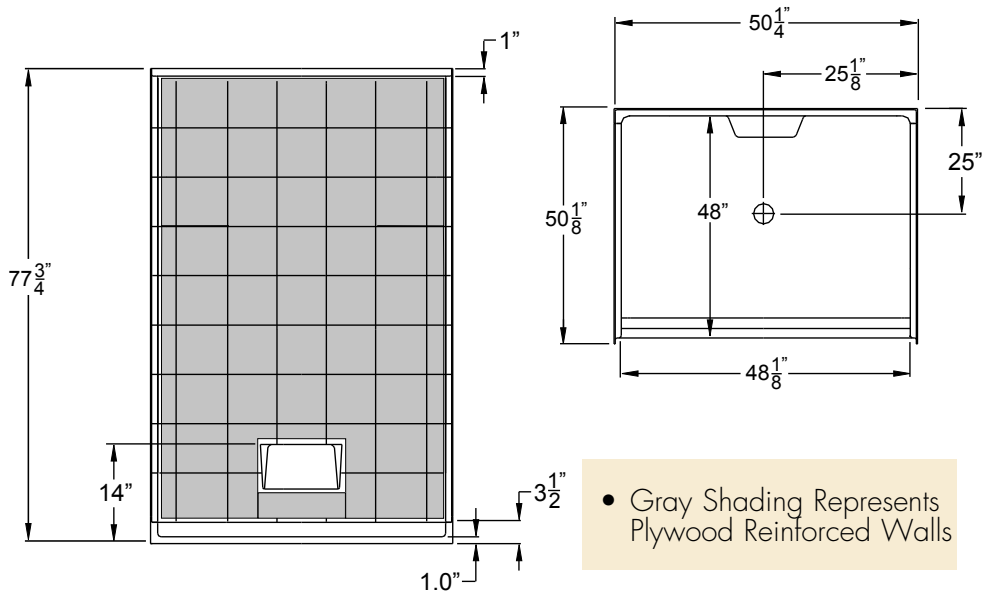
TRENDING ACCESSIBILITY

TRENDING
ACCESSIBILITY

TAP 5050 BF 5P 1.0

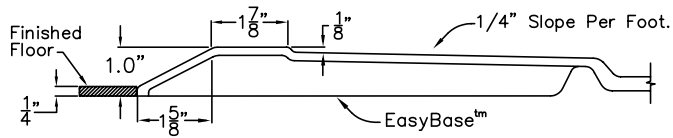
OD: 50.25" L x 50.125" W x 77.75"

Handed By: Center Drain

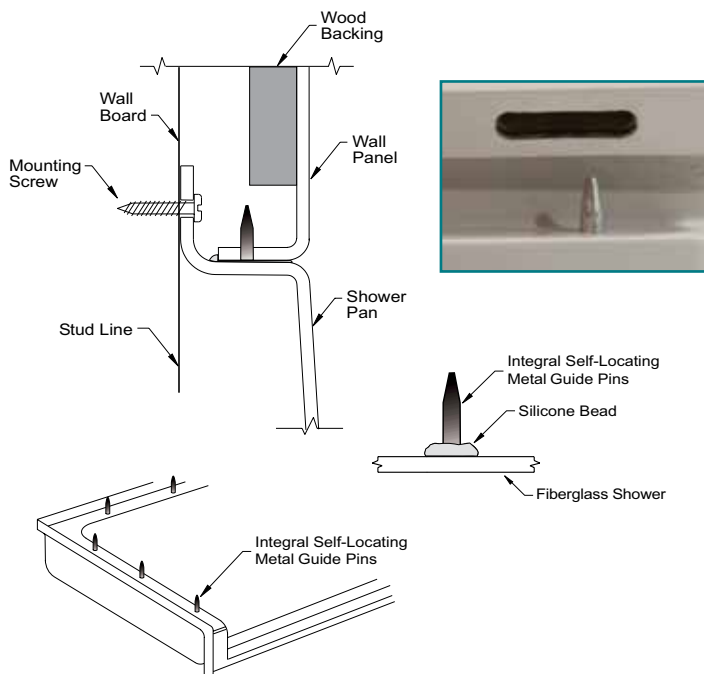


Threshold Detail:

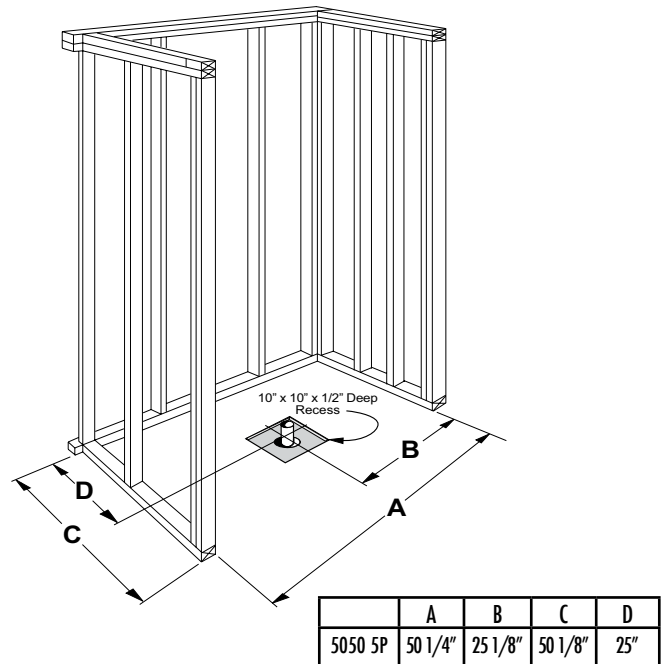
- 1:2 Slope
- 3/4" Overall Height Less Finished Flooring



Base Unit Mating Detail:



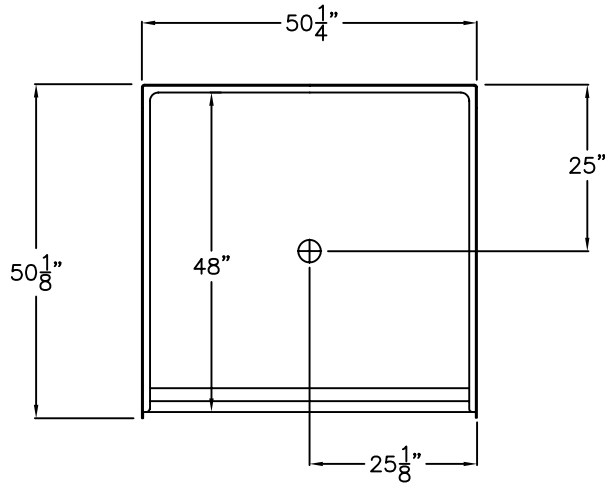
Frame-In Detail:



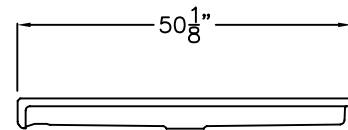
Comfort Series

SUBMITTAL DATA

TOP VIEW



SIDE VIEW



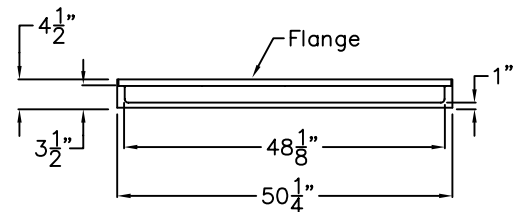
Barrier Free Shower Pan

The shower pan shall be 5050 BF PAN 1.0, center drain. Finished surface shall be of a sanitary-grade Solid Surface exhibiting a minimal thickness of 55 dry mils, and a finished cured Barcol hardness of 80-90 as tested with ASTM D-2583. Unit construction shall be of molded reinforced fiberglass with a minimum fiberglass content. The unit shall have outside dimensions of 50 1/8" x 50 1/4" x 4 1/2". The one piece pan shall meet ANSI Z124.2, NAHB, UPC, and shall meet the requirements of Southern Building Code.

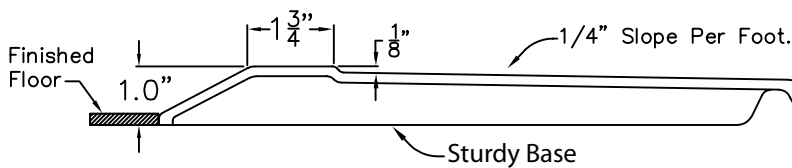
The enclosure shall be equipped with the following installed accessories:

- 1) Low entry 1" threshold,
- 2) Factory installed self sustaining bottom.

FRONT VIEW



Detail of 1.0" Threshold



DUE TO THE NATURE OF THE MATERIALS INVOLVED
UNIT DIMENSIONS MAY VARY ± 1/2 INCH

Job Name:		Drawing#: 5050 BF 1.0 Pan Sturdy Base	
Model No.:		Date: 3-31-09	Revised: 6-15-12
Approved by:	Date Approved:	Quote No.	
Rep.:	Wholesaler:		

Recyclable Paper