



TAP 6030 BF 5P .75 C

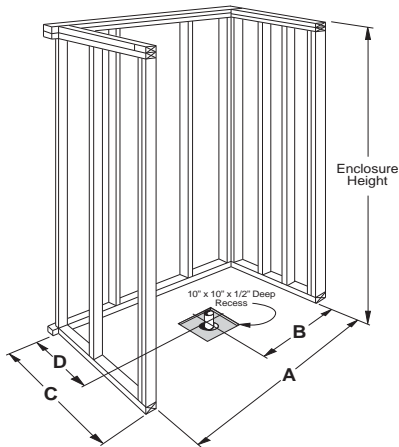
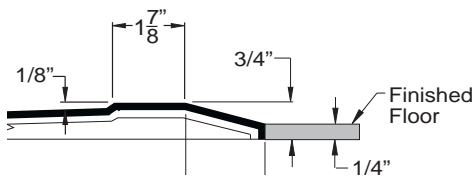
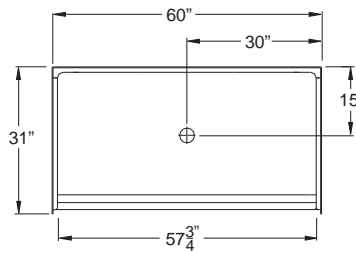
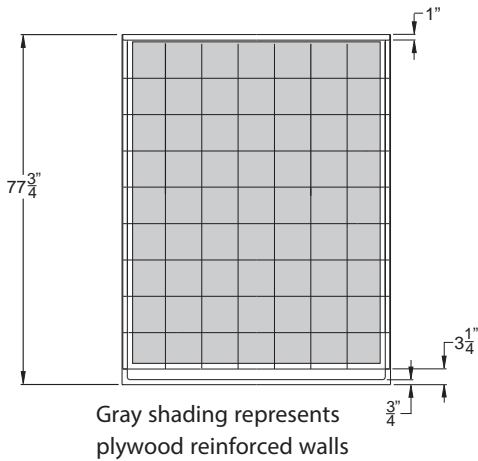
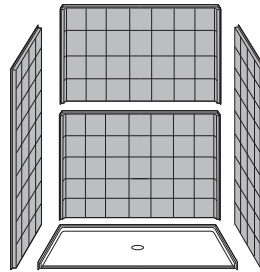
OD: 60" x 31" x 77.75"

Enclosure: up to 57.75" x 72.75"

Threshold: 3/4" Change of Level*

Handed By: Center Drain

* Change of Level Threshold has a manageable 1/4" vertical rise to easily coordinate with minimum finished flooring.



| | A | B | C | D |
|--------------|---------|---------|---------|---------|
| 6030 5P BF C | 60 1/4" | 30 1/8" | 31 1/4" | 15 1/8" |

PACKAGING DETAILS



Compact, Durable
Carton Packaging for
Easy Handling

**TRENDING
ACCESSIBILITY**

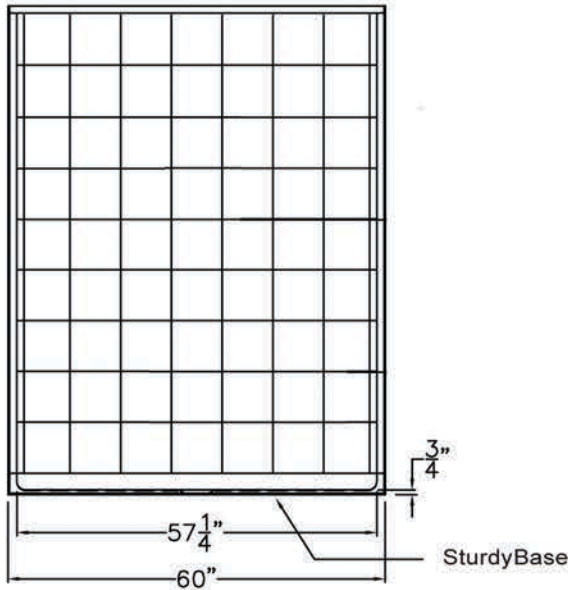
**TRENDING
ACCESSIBILITY**

866-829-8335

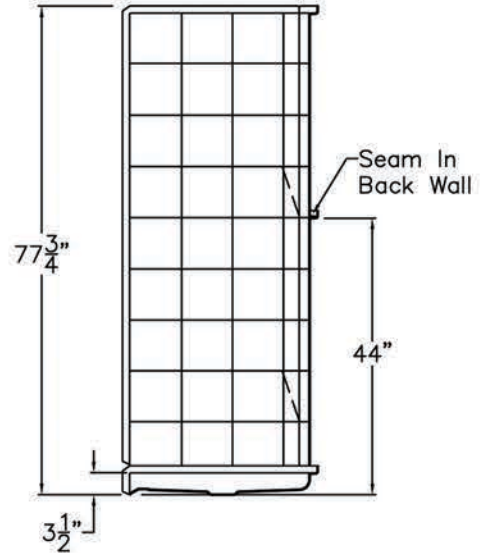
www.TrendingAccessibility.com

TRENDING ACCESSIBILITY
SUBMITTAL DATA © 2002

FRONT VIEW



SIDE VIEW



Sectional Shower Stall

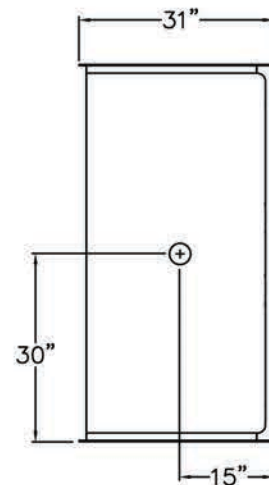
The shower enclosure shall be TAP 6030 BF .75 5 Piece center drain Finished surface shall be of a sanitary-grade polyester Gelcoat exhibiting a minimal thickness of 15 dry mils, and a finished cured Barcol hardness of 80-90 as tested with ASTM D-2583. Unit construction shall be of molded reinforced fiberglass with a 15% minimum fiberglass content. The unit shall have outside dimensions of 60" x 31" x 77 3/4". The five piece unit shall meet ANSI 124.2, NAHB, UPC, and shall meet the requirements of Southern Building Code.

The enclosure shall be equipped with the following installed accessories:

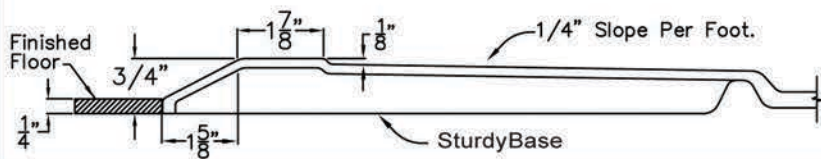
- 1) .75" Threshold, 2) Tile Finish, 3) Two Piece Back Wall, 4) center drain,
- 5) Full wood backing on walls, 6) self-sustaining bottom.

ALSO AVAILABLE IN LEFT OR RIGHT DRAIN VERSION.

TOP VIEW



Detail of 3/4" Threshold



DUE TO THE NATURE OF THE MATERIALS INVOLVED
UNIT DIMENSIONS MAY VARY ± 1/2 INCH

TRENDING ACCESSIBILITY

Model No.:

Drawing#: TAP 6030 BF 5P .75
Center Drain Easy Base

Approved by:

Date Approved:

Date: 3-31-09

Revised: 4-1-10

Rep.:

Wholesaler:

Quote No.