



TAP 6030 BF 5P 1.0 L/R

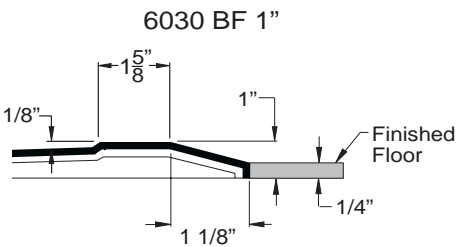
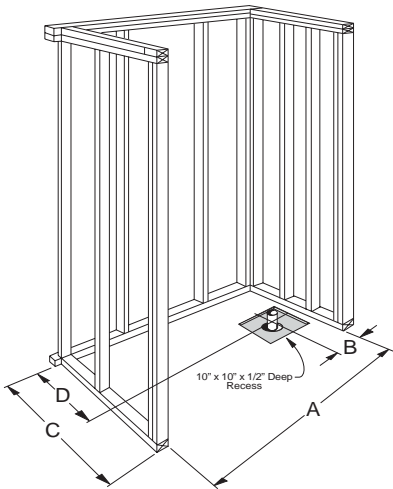
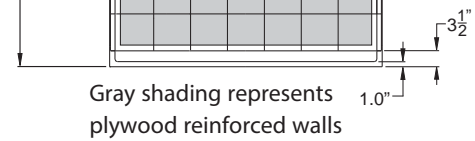
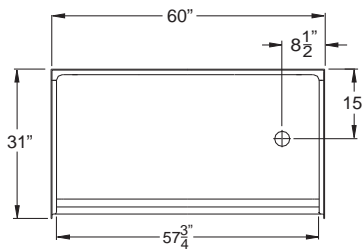
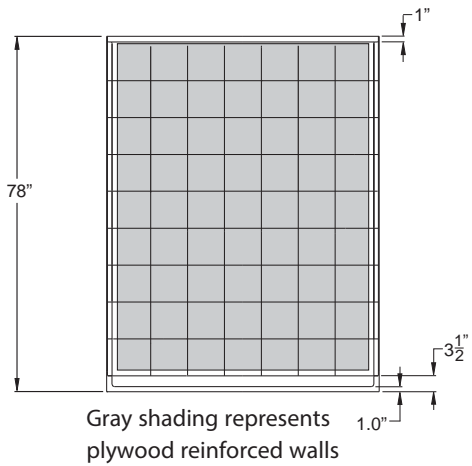
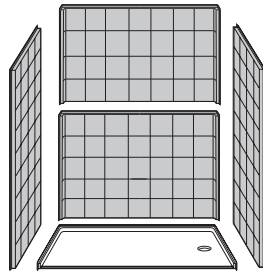
OD: 60" x 31" x 78"

Enclosure: up to 57.75" x 72.75"

Threshold: 1" Change of Level*

Handed By: Drain L/R

* Change of Level Threshold has a manageable 1/4" vertical rise to easily coordinate with minimum finished flooring.



	A	B	C	D
6030 5P	60 1/4"	8 5/8"	31 1/4"	15 1/8"

PACKAGING DETAILS



Compact, Durable
Carton Packaging for
Easy Handling

TRENDING ACCESSIBILITY



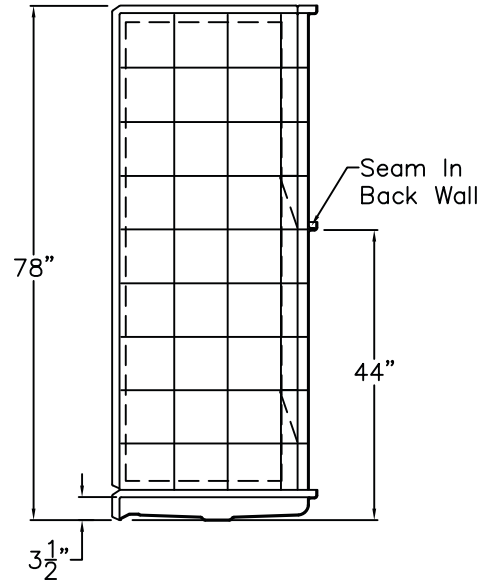
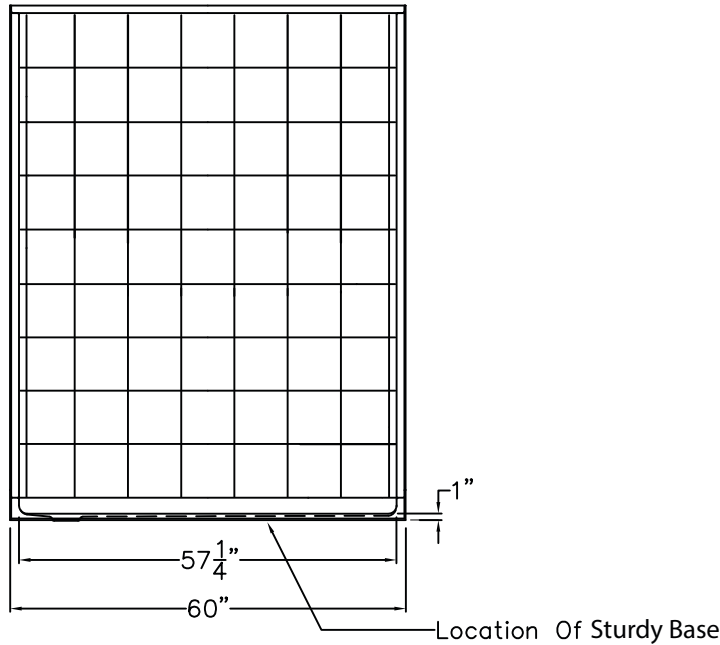
866-829-8335

www.TrendingAccessibility.com

TRENDING ACCESSIBILITY

FRONT VIEW SUBMITTAL DATA © 2002

SIDE VIEW



Barrier Free Sectional Shower Stall

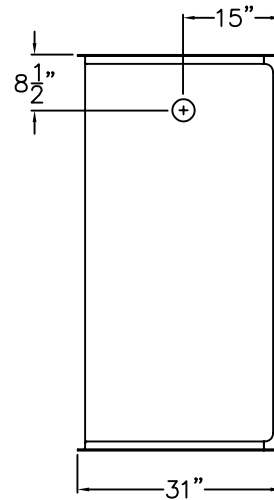
The shower enclosure shall be 6030 BF 1.0 Five Piece, Right or Left Drain. Finished surface shall be of a sanitary-grade polyester Gelcoat exhibiting a minimal thickness of 15 dry mills, and a finished cured Barcol hardness of 80-90 as tested with ASTM D-2583. Unit construction shall be of molded reinforced fiberglass with a 15% minimum fiberglass content. The unit shall have outside dimensions of 60" x 31" x 78". The five piece unit shall meet ANSI Z124.2, NAHB, UPC, and shall meet the requirements of Southern Building Code.

The enclosure shall be equipped with the following installed accessories:

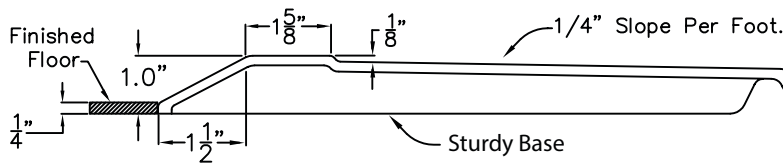
- 1) 1.0" Theshold, 2) Tile Finish, 3) Two Piece Back Wall,
- 4) Left hand drain location, 5) Full wood backing on walls,
- 6) self-sustaining bottom.

ALSO AVAILABLE IN RIGHT HAND OR CENTER DRAIN VERSION.

TOP VIEW



Detail of 1.0" Threshold



DUE TO THE NATURE OF THE MATERIALS INVOLVED UNIT DIMENSIONS MAY VARY ± 1/2 INCH

Model No.:

Approved by:

Rep.:

Date Approved:

Wholesaler:

TRENDING ACCESSIBILITY

Drawing#: TAP 6030 BF 5P 1.0
Left or Right Drain

Date: 3-31-09

Revised: 4-28-10

Quote No.

Recyclable Paper