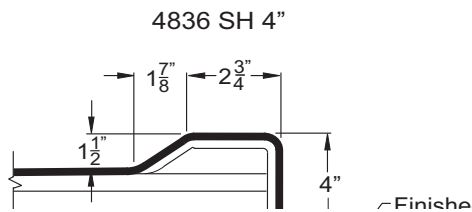
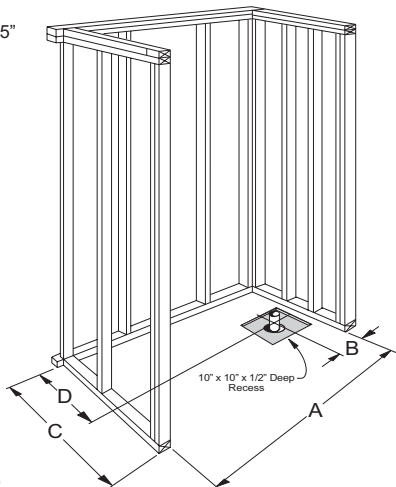
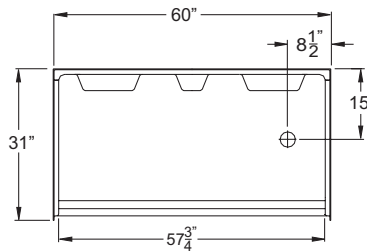
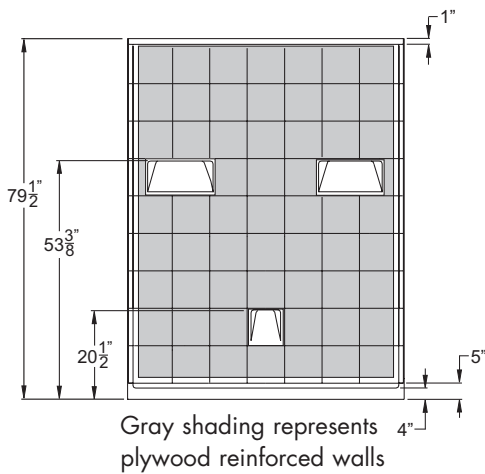
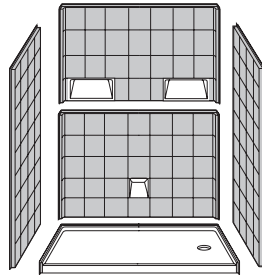




TAP 6030 SH 5P 4.0 L/R
 OD: 60" x 31" x 79.5"
 Enclosure: up to 57.75" x 71"
 Threshold: 4" Easy Step Dam
 Handed By: Drain L/R



	A	B	C	D
6030 5P	60 1/4"	8 1/2"	31 1/4"	15 1/8"

PACKAGING DETAILS

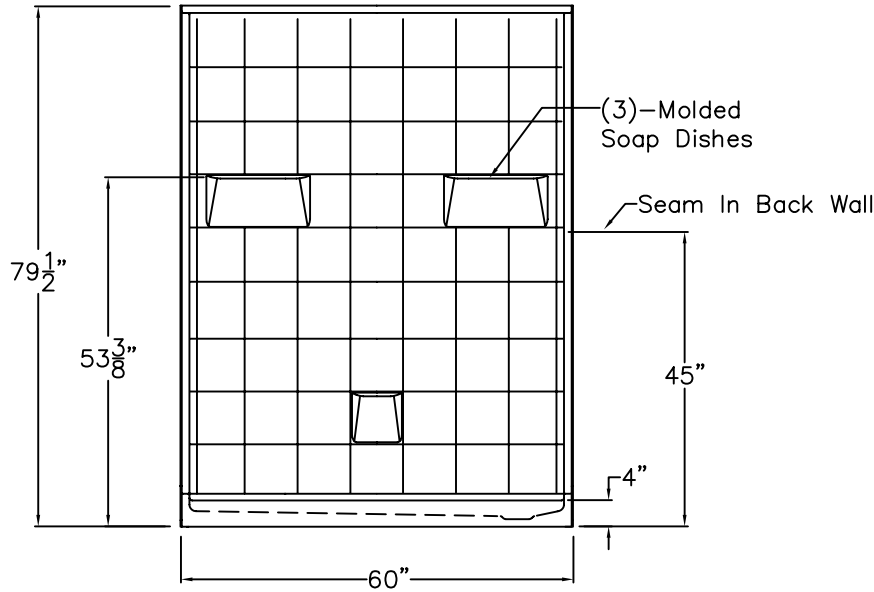


- Compact, Durable Carton Packaging for Easy Handling

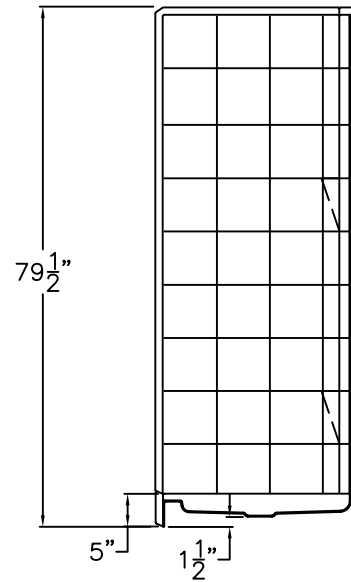
TRENDING ACCESSIBILITY

TRENDING ACCESSIBILITY
SUBMITTAL DATA © 2002

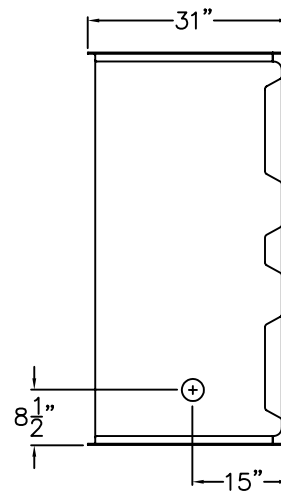
FRONT VIEW



SIDE VIEW



TOP VIEW



Sectional Shower Stall

The shower enclosure shall be 6030 SH 4.0" 5 Piece with Left or Right Drain. Finished surface shall be of a sanitary-grade polyester Gelcoat exhibiting a minimal thickness of 15 dry mils, and a finished cured Barcol hardness of 80-90 as tested with ASTM D-2583. Unit construction shall be of molded reinforced fiberglass with a 15% minimum fiberglass content. The unit shall have outside dimensions of 60" x 31" x 79 1/2". The five piece unit shall meet ANSI Z124.2, NAHB, UPC, and shall meet the requirements of Southern Building Code.

The enclosure shall be equipped with the following installed accessories:
1) 4.0" Theshold, 2) Tile Finish, 3) Two Piece Back Wall, 4) Three Molded Soap Dishes on Back Wall, 5) Left or Right drain location, 6) Full wood backing on all walls.

DUE TO THE NATURE OF THE MATERIALS INVOLVED
UNIT DIMENSIONS MAY VARY ± 1/2 INCH

Job Name:		TRENDING ACCESSIBILITY	
Model No.:		Drawing#: 6030 SH 5P 4.0 FWB Left or Right Drain	
Approved by:	Date Approved:	Date: 3-31-09	Revised: 5-25-10
Rep.:	Wholesaler:	Quote No.	