



## TAP 6033 BF 5P .75 C

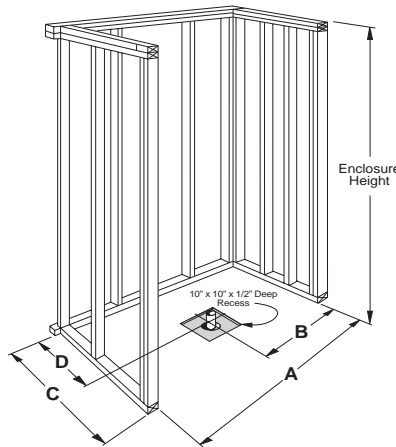
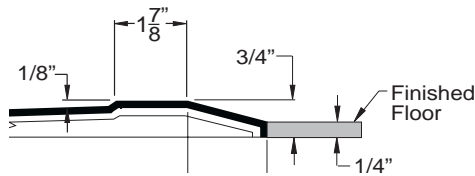
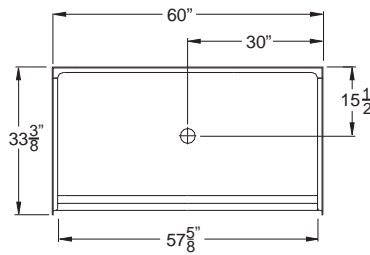
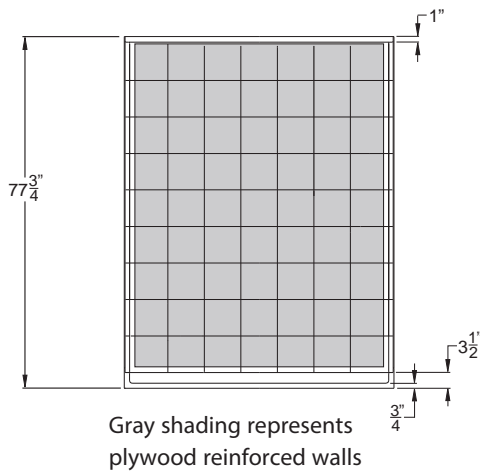
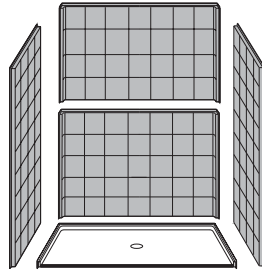
OD: 60" x 33.375" x 77.75"

Enclosure: up to 57.625" x 72.75"

Threshold: 3/4" Change of Level\*

Handed By: Center Drain

\* Change of Level Threshold has a manageable 1/4" vertical rise to easily coordinate with minimum finished flooring.



	A	B	C	D
6033 5P BF C	60 1/4"	30 1/8"	33 3/8"	15 1/4"

### PACKAGING DETAILS



- Compact, Durable Carton Packaging for Easy Handling

# TRENDING ACCESSIBILITY

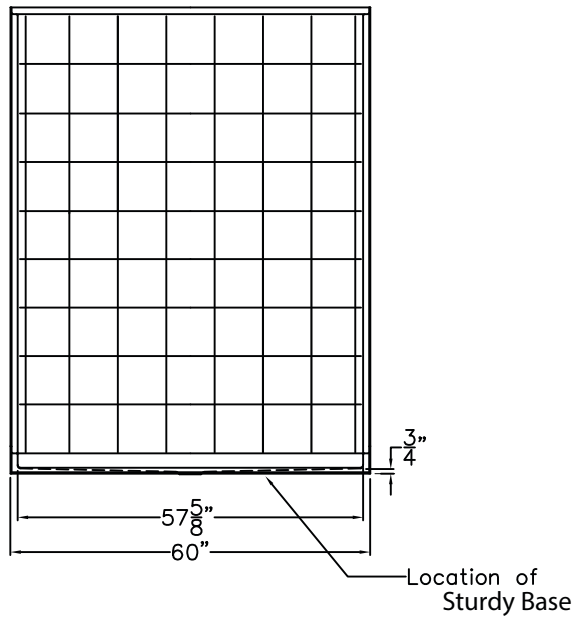
**TRENDING ACCESSIBILITY**

866-829-8335

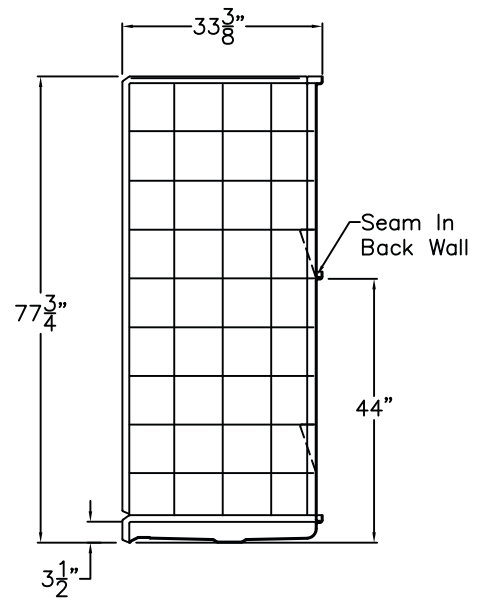
www.TrendingAccessibility.com

## TRENDING ACCESSIBILITY SUBMITTAL DATA

FRONT VIEW



SIDE VIEW



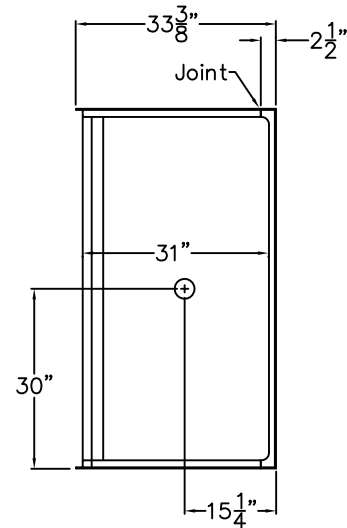
### Sectional Shower Stall

The shower enclosure shall be 6033 BF .75" 5 Piece with center drain. Finished surface shall be of a sanitary-grade polyester Gelcoat, exhibiting a minimal thickness of 15 dry mills, and a finished cured Barcol hardness of 80-90 as tested with ASTM D-2583. Unit construction shall be of molded reinforced fiberglass with a 15% minimum fiberglass content. The unit shall have outside dimensions of 60" x 33 3/8" x 77 3/4". The five piece unit shall meet ANSI Z124.2, NAHB, UPC, complies with CSA, and shall meet the requirements of Southern Building Code.

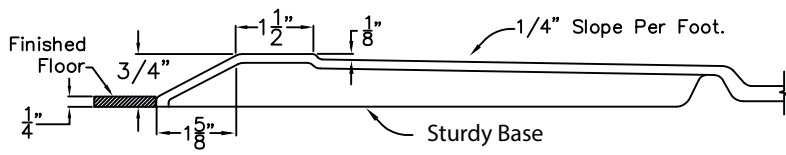
The enclosure shall be equipped with the following installed accessories:

- 1) 3/4" Change of Level Theshold, 2) Tile Finish, 3) Two Piece Back Wall,
- 4) Center drain location 5) Tile finish on walls,
- 6) Full wood backing on walls, 7) self-sustaining bottom

TOP VIEW



### Detail of 3/4" Threshold



DUE TO THE NATURE OF THE MATERIALS INVOLVED  
UNIT DIMENSIONS MAY VARY ± 1/2 INCH

<b>Job Name:</b>	<b>TRENDING ACCESSIBILITY</b>
<b>Model No.:</b>	<b>Drawing#:</b> TAP 6033 BF 5P .75 Center Drain
<b>Approved by:</b>	<b>Date Approved:</b> Date: 8-31-10 Revised: 2-7-11
<b>Rep.:</b>	<b>Wholesaler:</b> Quote No.