



## TAP 6033 BF 5P 1.0 L/R

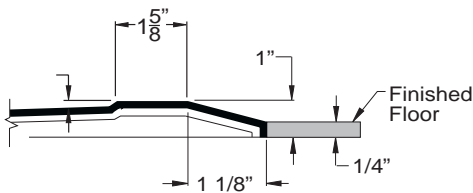
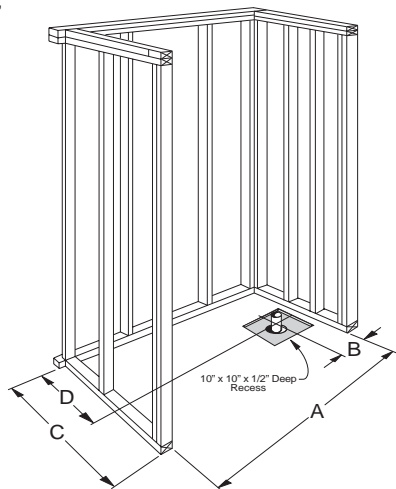
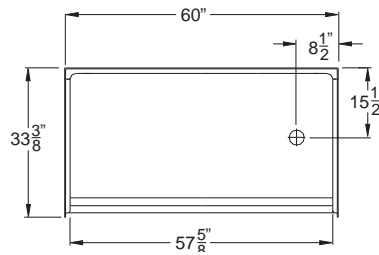
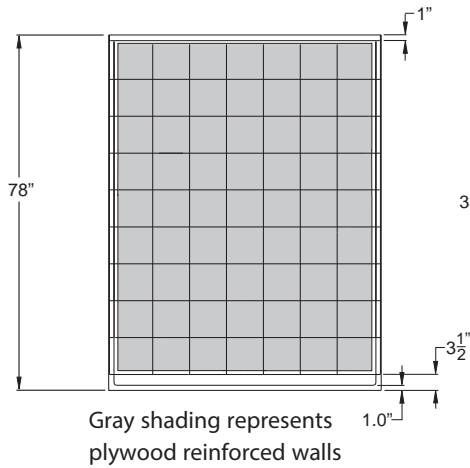
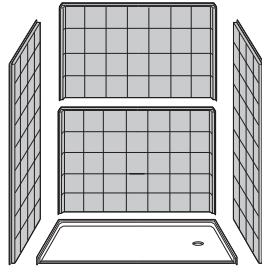
OD: 60" x 33.375" x 78"

Enclosure: up to 57.625" x 72.75"

Threshold: 1" Change of Level\*

Handed By: Drain L/R

\* Change of Level Threshold has a manageable 1/4" vertical rise to easily coordinate with minimum finished flooring.



	A	B	C	D
6033	60 1/4"	8 1/2"	33 3/8"	15 1/4"

### PACKAGING DETAILS



• Compact, Durable  
Carton Packaging for  
Easy Handling

# TRENDING ACCESSIBILITY

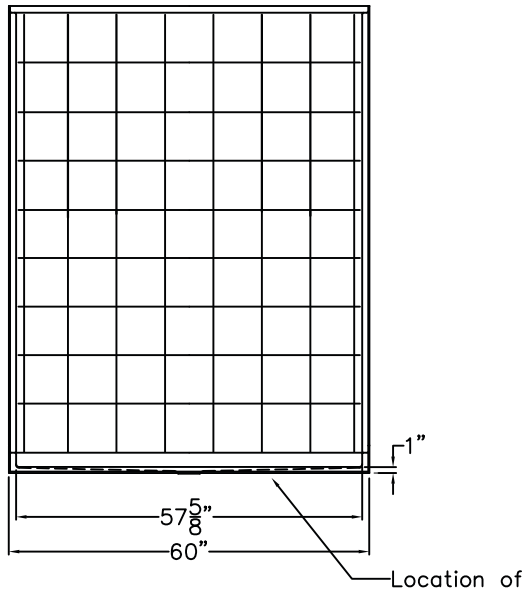
TRENDING  
ACCESSIBILITY

866-829-8335

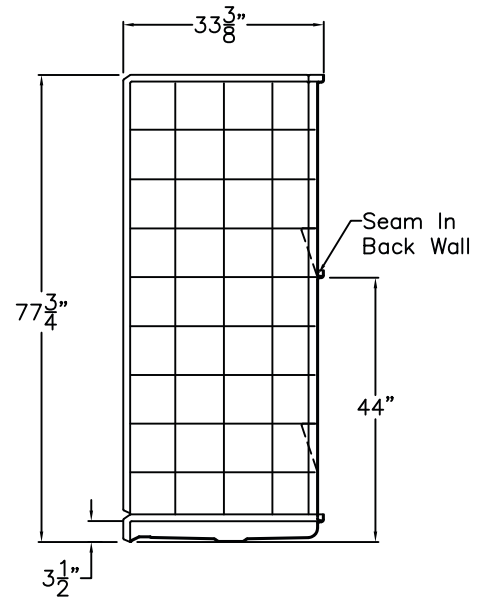
www.TrendingAccessibility.com

### Trending Accessibility SUBMITTAL DATA

FRONT VIEW



SIDE VIEW



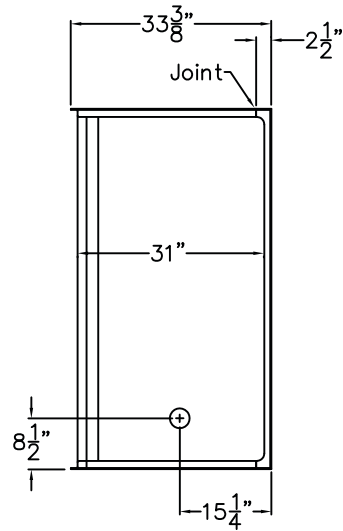
### Sectional Shower Stall

The shower enclosure shall be 6033 BF 1.0" 5 Piece, Left or Right Drain. Finished surface shall be of a sanitary-grade polyester Gelcoat, exhibiting a minimal thickness of 15 dry mils, and a finished cured Barcol hardness of 80-90 as tested with ASTM D-2583. Unit construction shall be of molded reinforced fiberglass with a 15% minimum fiberglass content. The unit shall have outside dimensions of 60" x 33 3/8" x 77 3/4". The five piece unit shall meet ANSI Z124.2, NAHB, UPC, complies with CSA, and shall meet the requirements of Southern Building Code.

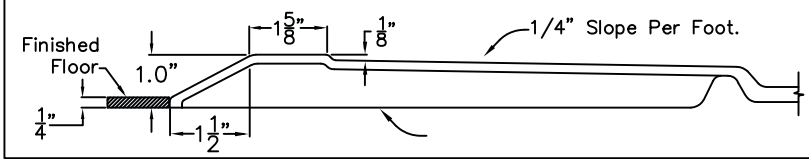
The enclosure shall be equipped with the following installed accessories:

- 1) 1" Change of Level Theshold,
- 2) Tile Finish,
- 3) Two Piece Back Wall,
- 4) Full wood backing on walls,
- 5) Tile finish on walls,
- 6) self-sustaining bottom,
- 7) Left or Right drain location.

TOP VIEW



Detail of 1.0" Threshold



DUE TO THE NATURE OF THE MATERIALS INVOLVED  
UNIT DIMENSIONS MAY VARY ± 1/2 INCH

Job Name:

Model No.:

Approved by:

Rep.:

Drawing#: TAP 6033 BF 5P 1.0 Left or Right Drain

Date Approved:

Wholesaler:

Date: 8-31-10

Quote No.

Revised: 2-7-11