



TAP 6036 BF 5P .875

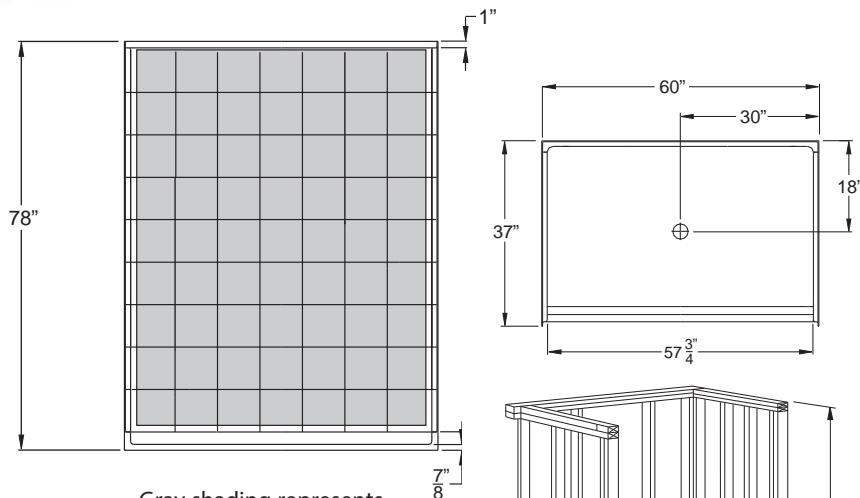
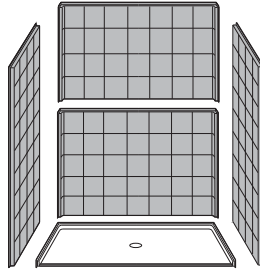
OD: 60" x 37" x 78"

Enclosure: up to 57.75" x 72.75"

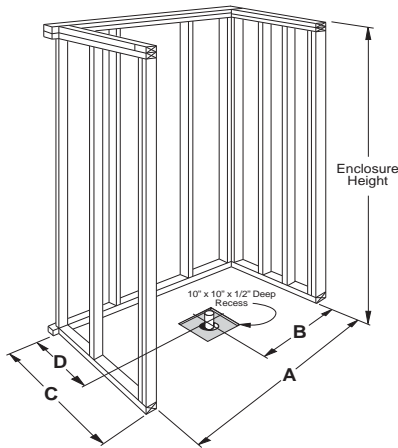
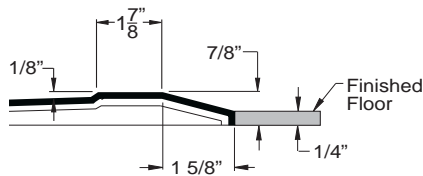
Threshold: 7/8" Change of Level*

Handed By: Center Drain

* Change of Level Threshold has a manageable 1/4" vertical rise to easily coordinate with minimum finished flooring.



Gray shading represents plywood reinforced walls



	A	B	C	D
6036 5P	60 1/4"	30 1/8"	37 1/4"	18 1/8"

PACKAGING DETAILS



- Compact, Durable Carton Packaging for Easy Handling

TRENDING ACCESSIBILITY

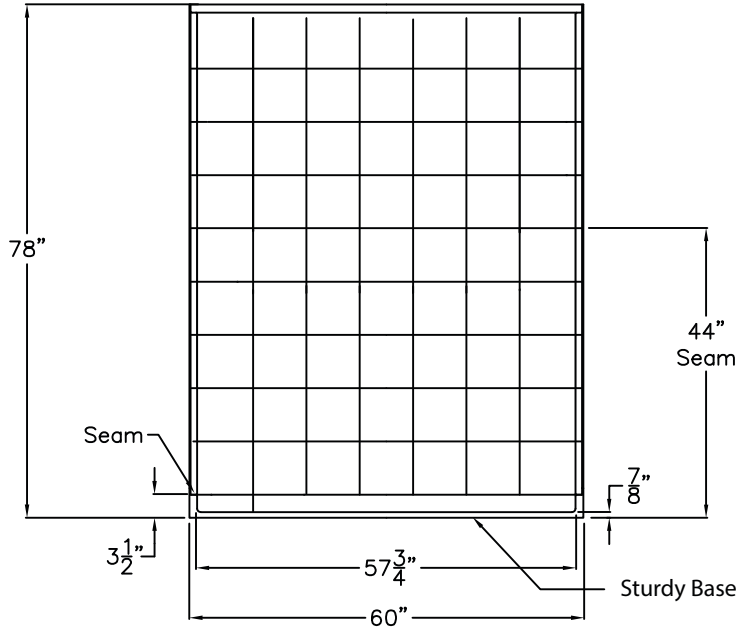
TRENDING ACCESSIBILITY

866-829-8335

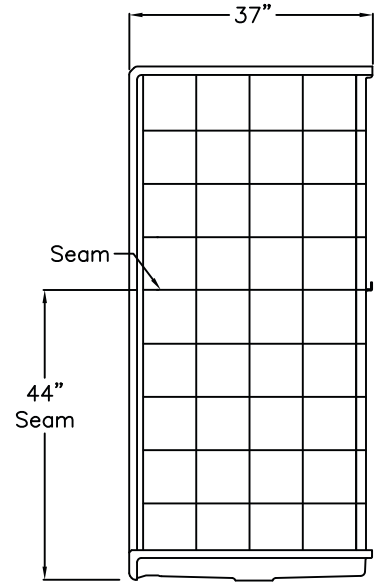
www.TrendingAccessibility.com

TRENDING ACCESSIBILITY SUBMITTAL DATA

FRONT VIEW



SIDE VIEW



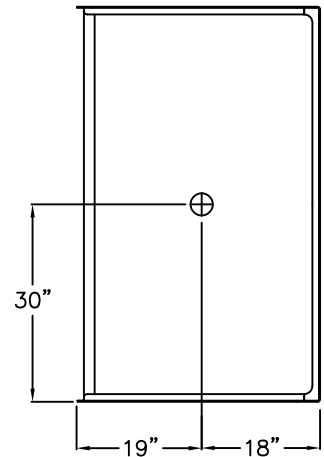
Sectional Shower Stall

The shower enclosure shall be 6036 BF 5P .875, center drain. Finished surface shall be of a sanitary-grade polyester Gelcoat exhibiting a minimal thickness of 15 dry mils, and a finished cured Barcol hardness of 80-90 as tested with ASTM D-2583. Unit construction shall be of molded reinforced fiberglass with a minimum fiberglass content. The unit shall have outside dimensions of 60" x 37" x 78". The five piece unit shall meet ANSI 124.2, NAHB, UPC, complies with CSA, and shall meet the requirements of Southern Building Code.

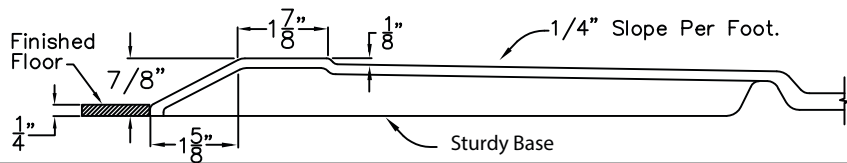
The enclosure shall be equipped with the following installed accessories:

- 1) full wood backing on the back wall, 2) full wood backing on both side walls, 3) five piece design, 4) tile finish, 5) Factory installed self-sustaining bottom.

TOP VIEW



Detail of 7/8" Threshold



DUE TO THE NATURE OF THE MATERIALS INVOLVED
UNIT DIMENSIONS MAY VARY ± 1/2 INCH

TRENDING ACCESSIBILITY

Drawing#: TAP 6036 BF 5P .875

Date: 3-31-09 Revised: 3-31-10

Quote No.

Recyclable Paper