



TAP 6048 BF 5P 1.125

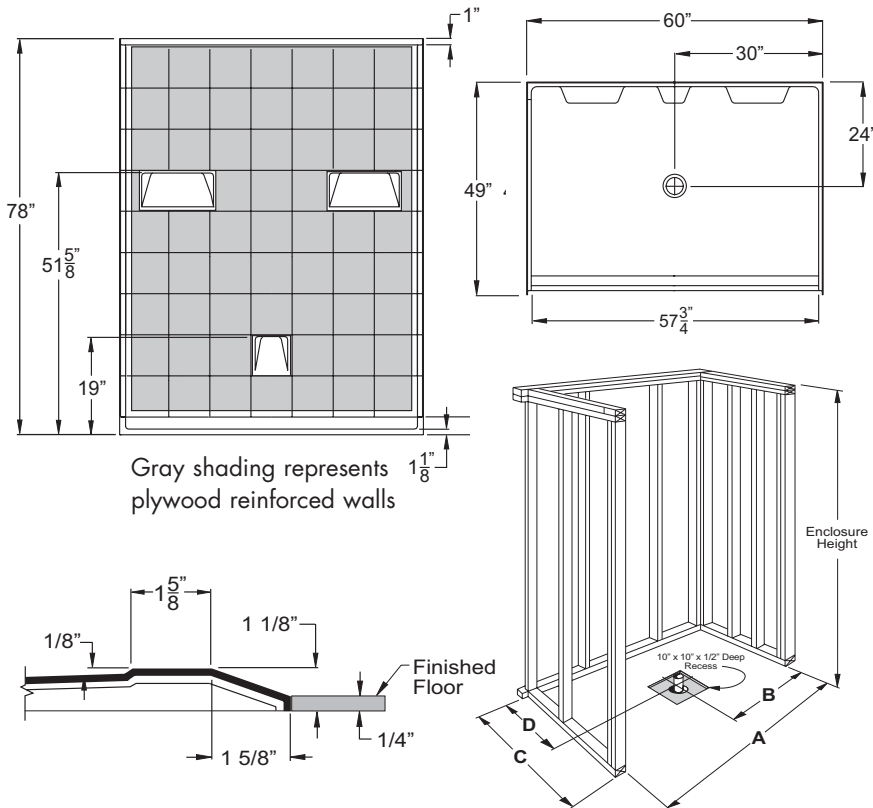
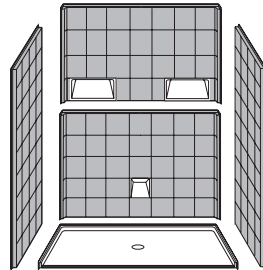
OD: 60" x 49" x 78"

Enclosure: up to 57.75" x 72.75"

Threshold: 1 1/8" Change of Level*

Handed By: Center Drain

* Change of Level Threshold has a manageable 1/4" vertical rise to easily coordinate with minimum finished flooring.



	A	B	C	D
6048 5P	60 1/4"	30 1/8"	49 1/4"	24 1/8"

PACKAGING DETAILS



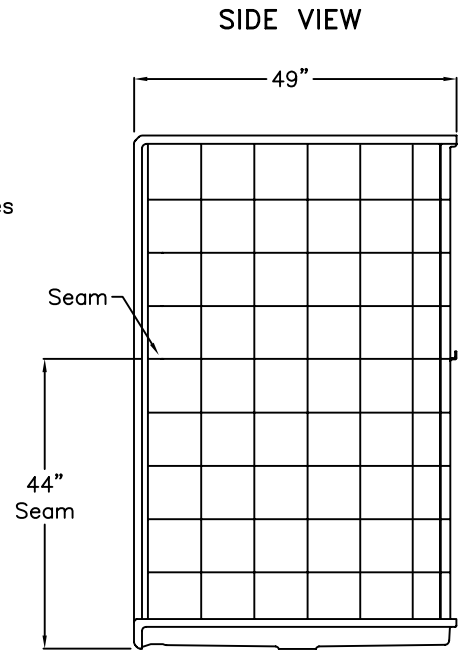
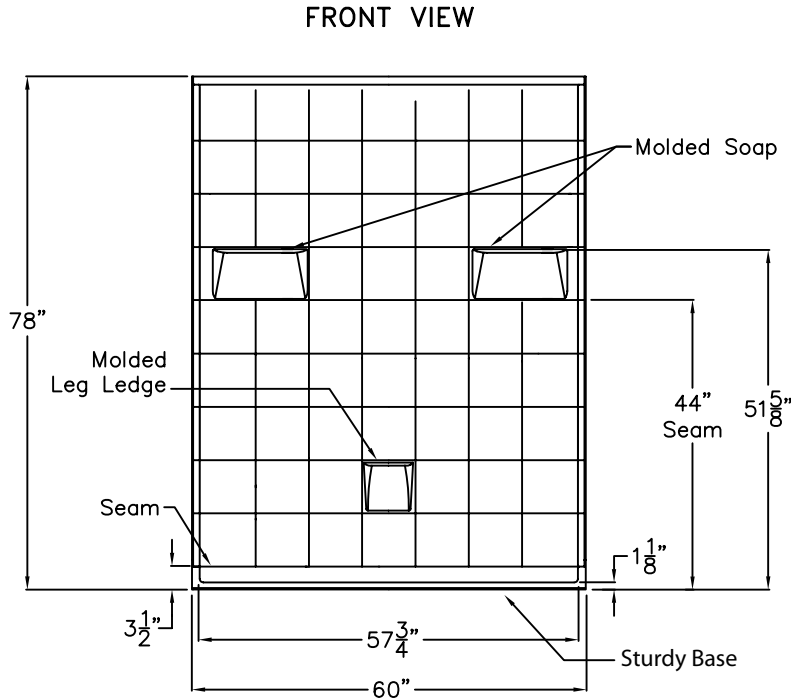
- Compact, Durable Carton Packaging for Easy Handling

**TRENDING
ACCESSIBILITY**



856-488-9535
www.TrendingAccessibility.com

TRENDING ACCESSIBILITY
SUBMITTAL DATA



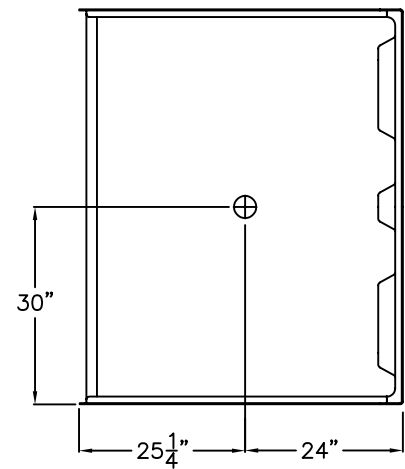
Sectional Shower Stall

The shower enclosure shall be 6048 BF 5P 1.125, center drain. Finished surface shall be of a sanitary-grade polyester Gelcoat exhibiting a minimal thickness of 15 dry mills, and a finished cured Barcol hardness of 80-90 as tested with ASTM D-2583. Unit construction shall be of molded reinforced fiberglass with a minimum fiberglass content. The unit shall have outside dimensions of 60" x 49" x 78". The four piece unit shall meet ANSI Z124.2, NAHB, UPC, and shall meet the requirements of Southern Building Code.

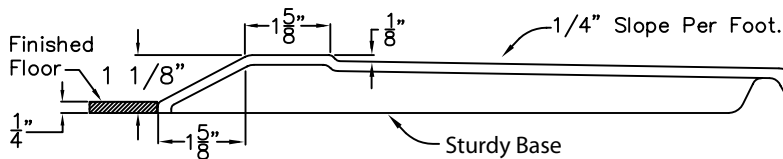
The enclosure shall be equipped with the following installed accessories:

- 1) 1/2" thick oriented strand board full wood backing on the back wall,
- 2) 1/2" thick oriented strand board full wood backing on both side walls,
- 3) two molded soap ledges,
- 4) one lower leg ledge centered on back wall,
- 5) tile finish,
- 6) four piece design,
- 7) self sustaining threshold.

TOP VIEW



Detail of 1 1/8" Threshold



DUE TO THE NATURE OF THE MATERIALS INVOLVED
UNIT DIMENSIONS MAY VARY ± 1/2 INCH

TRENDING ACCESSIBILITY

Model No.:

Drawing#: TAP 6048 BF 5P 1.125

Approved by:

Date Approved:

Date: 3-31-09

Revised: 5-24-10

Rep.:

Wholesaler:

Quote No.