



TAP 6060 BF 3P 1.25

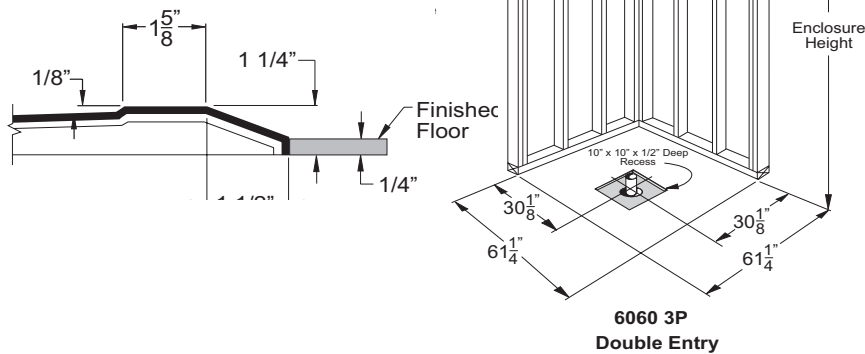
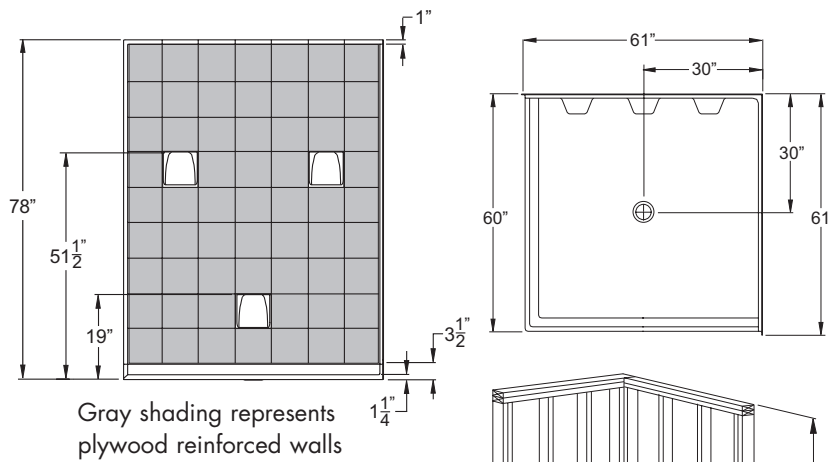
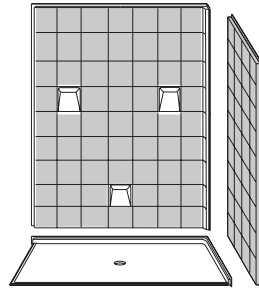
OD: 61" x 61" x 78"

Enclosure: up to 57.75" x 57.75" x 72.5"

Threshold: 1 1/8" Change of Level*

Handed By: Center Drain

* Change of Level Threshold has a manageable 1/4" vertical rise to easily coordinate with minimum finished flooring.



PACKAGING DETAILS



- Compact, Durable Carton Packaging for Easy Handling

TRENDING ACCESSIBILITY

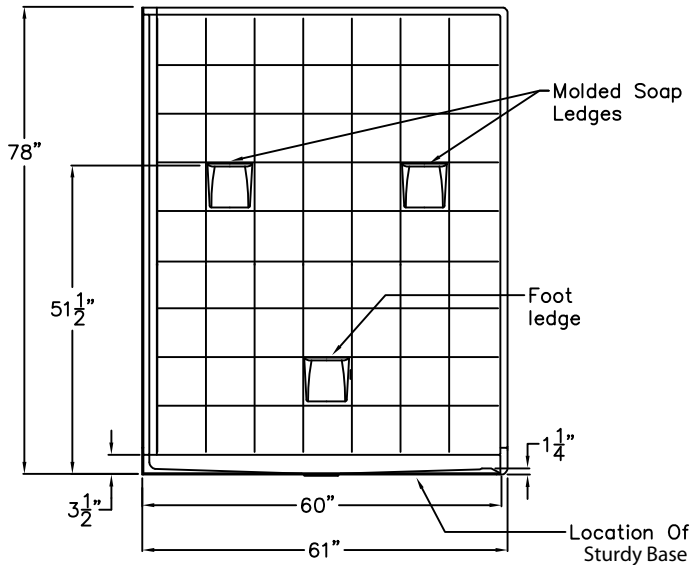

TRENDING
ACCESSIBILITY

856-488-9535

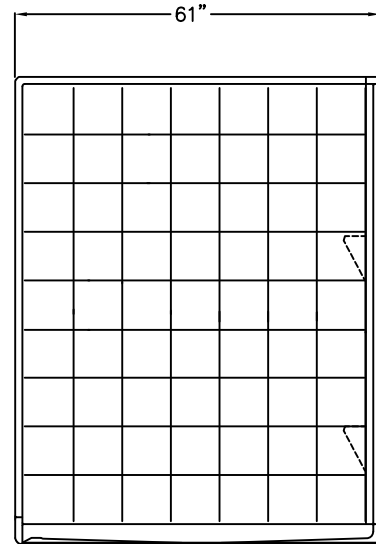
www.TrendingAccessibility.com

TRENDING ACCESSIBILITY SUBMITTAL DATA

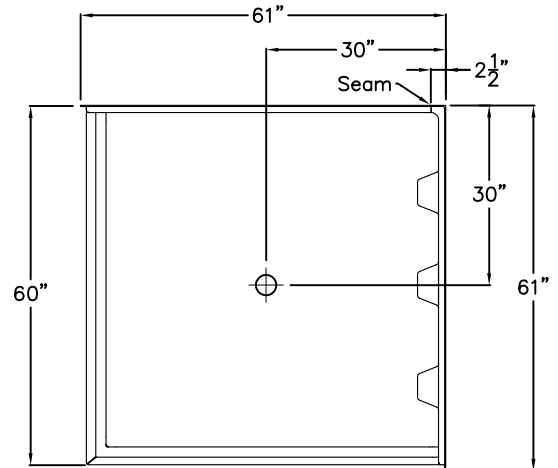
WALL WITH SOAP DISHES



FLAT WALL



TOP VIEW



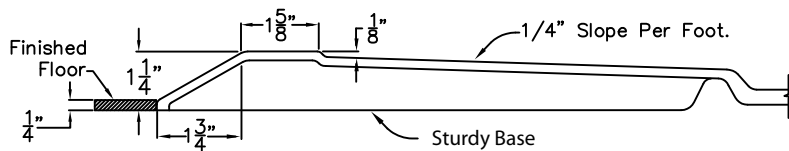
Sectional Shower Stall

The shower enclosure shall be 6060 BF DE 3P 1.25, center drain. Finished surface shall be of a sanitary-grade polyester Gelcoat exhibiting a minimal thickness of 15 dry mils, and a finished cured Barcol hardness of 80-90 as tested with ASTM D-2583. Unit construction shall be of molded reinforced fiberglass with a 15% minimum fiberglass content. The unit shall have outside dimensions of 61" x 61" x 78". The three piece unit shall meet ANSI Z124.2, NAHB, UPC, and shall meet the requirements of Southern Building Code, and complies with CSA. Unit is designed as a corner unit, with two walls and a base with entry threshold on two sides.

The enclosure shall be equipped with the following installed accessories:

- 1) 1/2" thick oriented strand board full wood backing on the back wall,
- 2) 1/2" thick oriented strand board full wood backing on the side wall,
- 3) two molded soap dishes, 4) one lower leg ledge centered on back wall,
- 5) tile finish, 6) three piece corner design, 7) 1 1/4" Threshold, 8) Factory installed self sustaining bottom.

Detail of 1 1/4" Threshold



DUE TO THE NATURE OF THE MATERIALS INVOLVED
UNIT DIMENSIONS MAY VARY ± 1/2 INCH

TRENDING ACCESSIBILITY

Model No.:

Drawing#: TAP 6060 BF DE 3P 1.25

Approved by:

Date Approved:

Date: 3-31-09

Revised: 12-9-10

Rep.:

Wholesaler:

Quote No.

Recyclable Paper