



**TAP 6060 BF 5P 1.125**

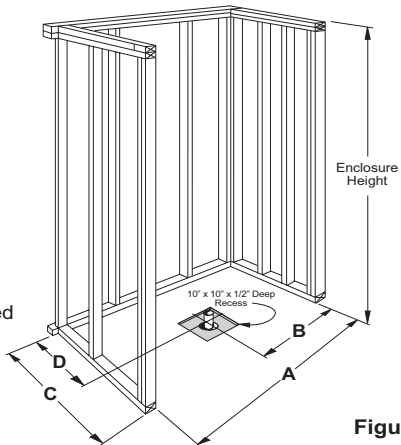
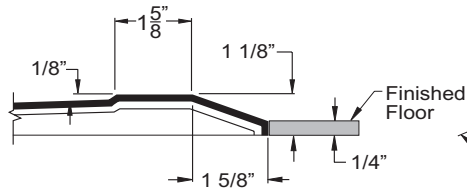
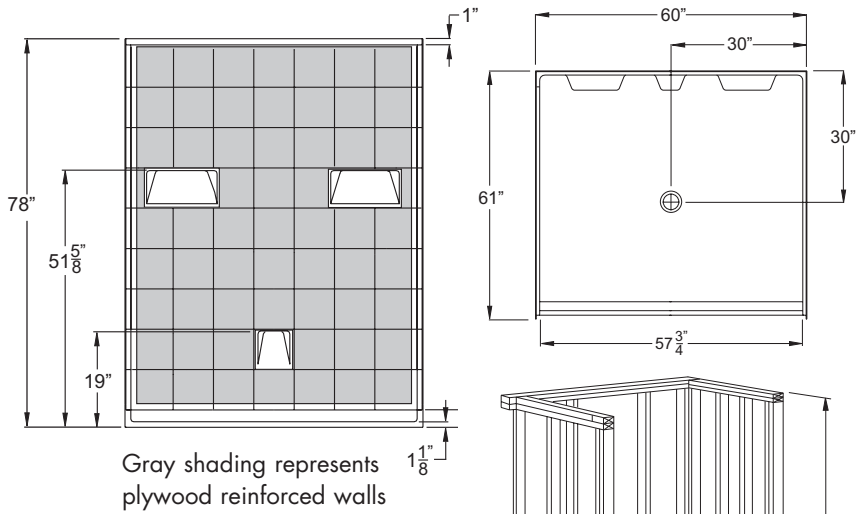
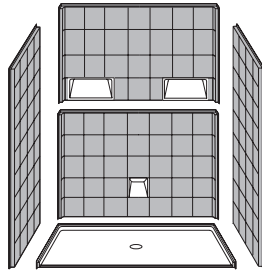
OD: 60" x 61" x 78"

Enclosure: up to 57.75" x 72.75"

Threshold: 1 1/8" Change of Level\*

Handed By: Center Drain

\* Change of Level Threshold has a manageable 1/4" vertical rise to easily coordinate with minimum finished flooring.



Figur

	A	B	C	D
6060 5P	60 1/4"	30 1/8"	61 1/4"	30 1/8"

**PACKAGING DETAILS**



- Compact, Durable Carton Packaging for Easy Handling

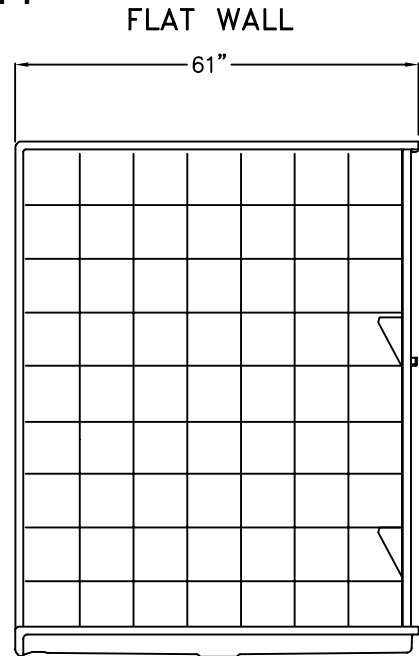
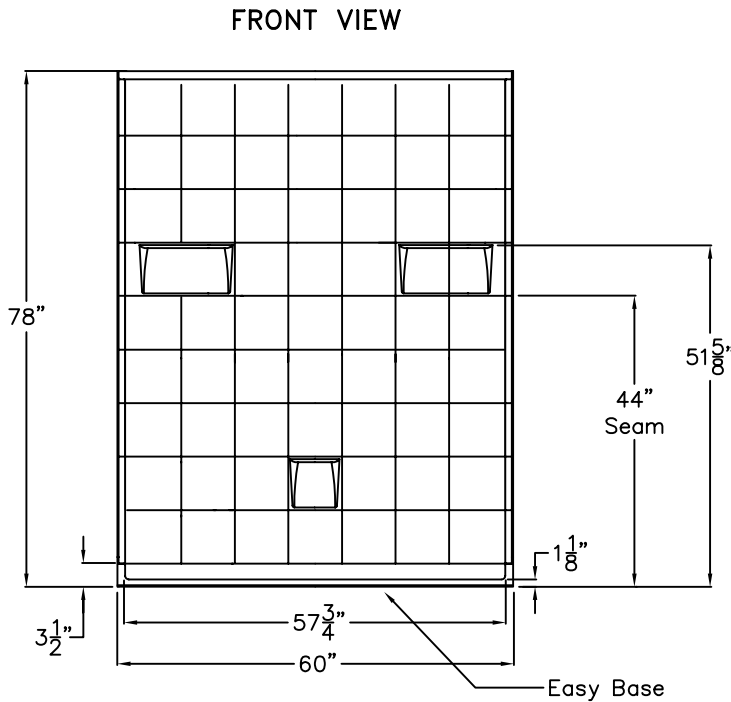
**TRENDING  
ACCESSIBILITY**



856-488-9535

www.TrendingAccessibility.com

TRENDING ACCESSIBILITY  
SUBMITTAL DATA



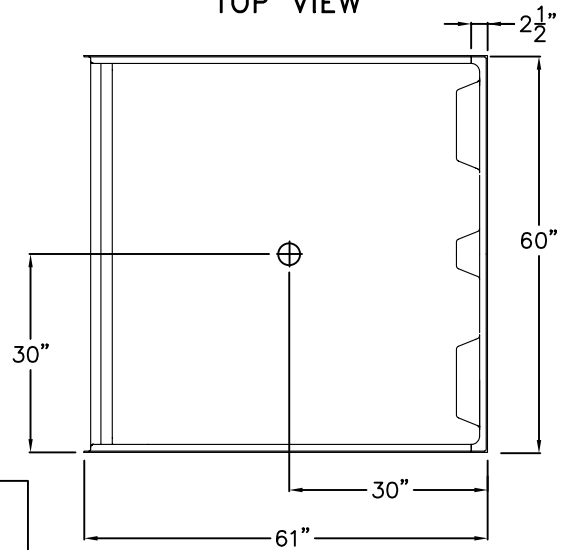
Sectional Shower Stall

The shower enclosure shall be 6060 BF 5P 1.125, center drain. Finished surface shall be of a sanitary-grade polyester Gelcoat exhibiting a minimal thickness of 15 dry mils, and a finished cured Barcol hardness of 80-90 as tested with ASTM D-2583. Unit construction shall be of molded reinforced fiberglass with a minimum fiberglass content. The unit shall have outside dimensions of 60" x 61" x 78". The five piece unit shall meet ANSI 124.2, NAHB, UPC, and shall meet the requirements of Southern Building Code.

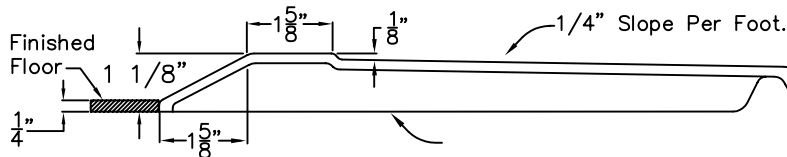
The enclosure shall be equipped with the following installed accessories:

- 1) 1/2" thick oriented strand board full wood backing on the back wall,
- 2) 1/2" thick oriented strand board full wood backing on both side walls,
- 3) two molded soap dishes,
- 4) one lower leg ledge centered on back wall,
- 5) tile finish,
- 6) five piece design,
- 7) Factory installed self sustaining bottom,
- 8) 1 1/8" Threshold.

TOP VIEW



Detail of 1 1/8" Threshold



DUE TO THE NATURE OF THE MATERIALS INVOLVED  
UNIT DIMENSIONS MAY VARY ± 1/2 INCH

TRENDING ACCESSIBILITY

Model No.:

Drawing#: TAP 6060 BF 1.125

Approved by:

Date Approved:

Date: 3-31-09

Revised: 5-24-10

Rep.:

Wholesaler:

Quote No.