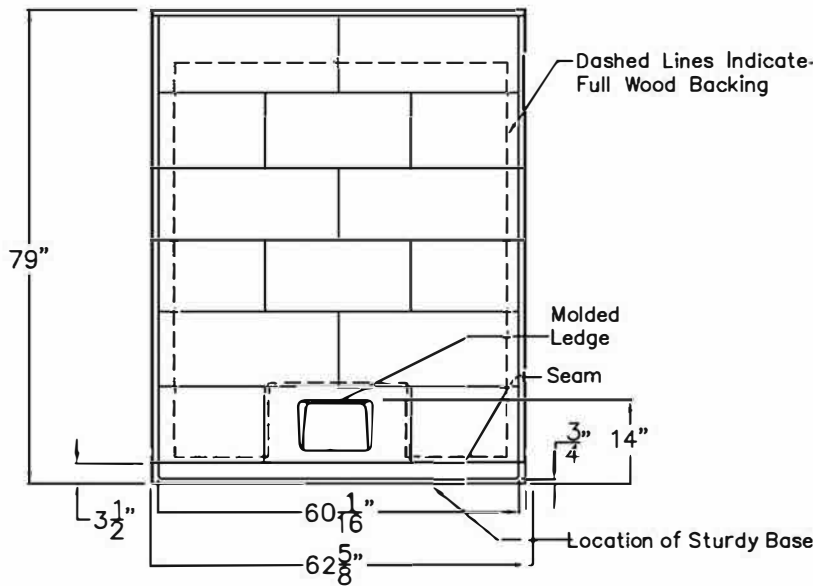
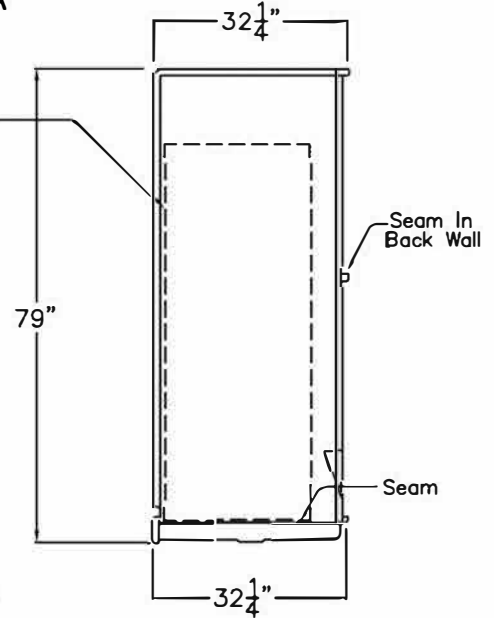


FRONT VIEW SUBMITTAL DATA



SIDE VIEW



5 Piece Sectional BF Shower

The sectional shower shall be TAP6232 BF 5 Piece center drain. Finished surface shall be of a sanitary-grade polyester Gelcoat exhibiting a minimal thickness of 15 dry mills, and a finished cured Barcoal hardness of 80-90 as tested with ASTM D-2583. Unit construction shall be of molded reinforced fiberglass with a minimum 15% fiberglass content.

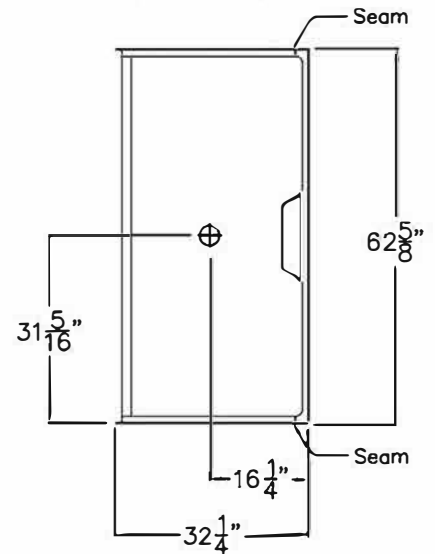
The unit has outside dimensions of: 62 5/8" x 32 1/4" x 79". The 5 piece shower shall meet CSA B45.5, IAPMO Z124, NAHB, HUD, FHA, is designed to meet ADA and ANSI A117.1-2003 and shall meet the requirements of Southern Building Code.

NOTE: FOLD UP SEAT AND GRAB BAR PACKAGE REQUIRED FOR ADA AND ANSI A117.

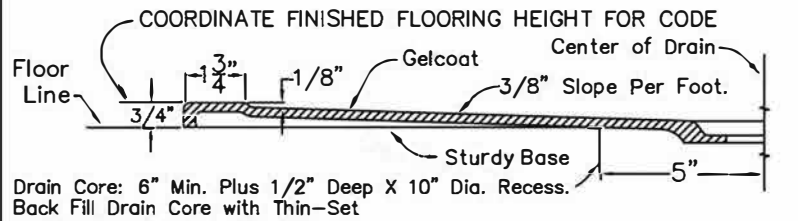
The enclosure shall be equipped with the following installed accessories:

- 1) Low entry 3/4" threshold,
- 2) Tile Finish
- 3) Low Molded Shelf
- 4) Five Piece Sectional Design
- 4) Full Wood Backing On Walls
- 5) Factory installed SturdyBase self sustaining bottom.

TOP VIEW



DUE TO THE NATURE OF THE MATERIALS INVOLVED UNIT DIMENSIONS MAY VARY ± 1/2 INCH



Model No.:

Drawing#: Model TAP 6232 BF 5P .75 C

Approved by:

Date Approved:

Date: 3-31-09

Revised: 3-14-13

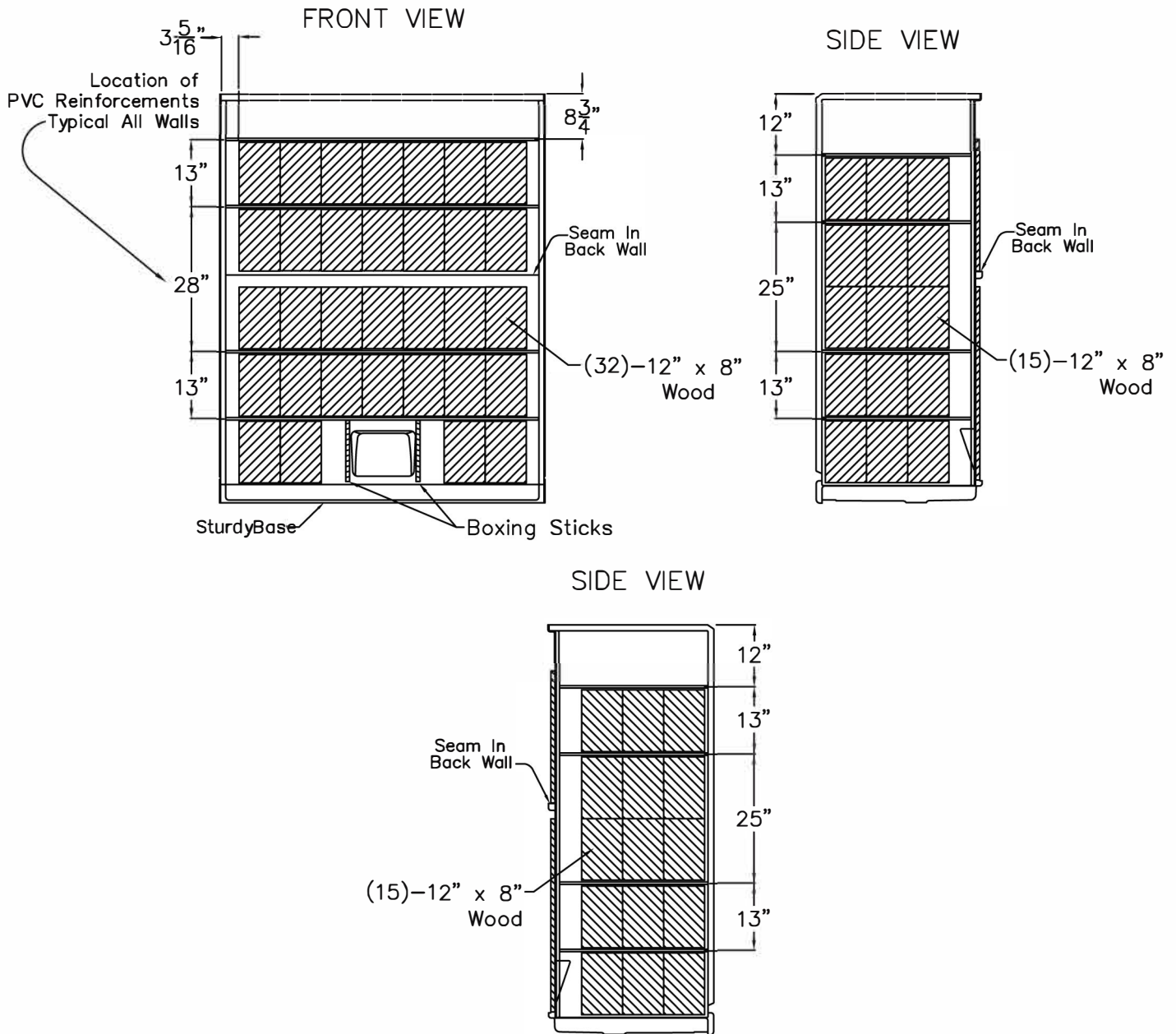
Rep.:

Wholesaler:

Quote No.

Board Placement Drawing

SUBMITTAL DATA © 2004



DUE TO THE NATURE OF THE MATERIALS INVOLVED
UNIT DIMENSIONS MAY VARY ± 1/2 INCH

Job Name:		Drawing#: Model TAP 6232 BF 5P .75 C	
Model No.:		Date: 3-31-09 Revised: 3-14-13	
Approved by:	Date Approved:	Quote No.:	
Rep.:	Wholesaler:		