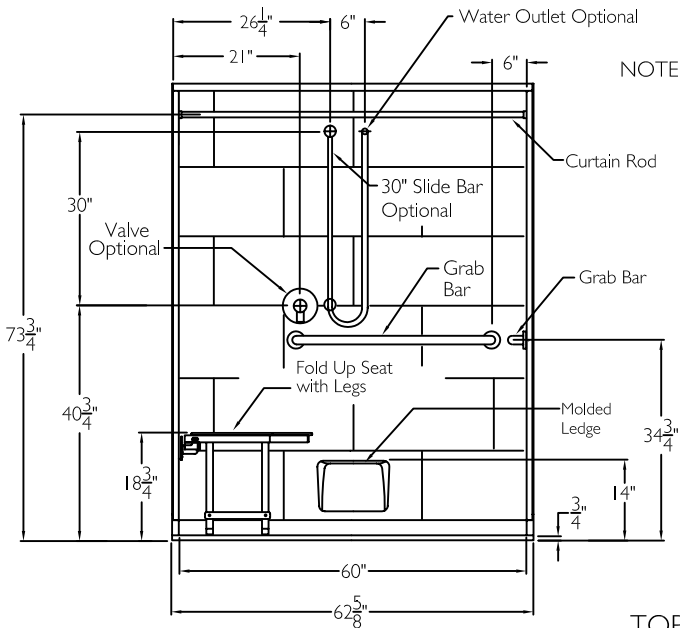




TRENDING ACCESSIBILITY

FRONT VIEW



NOTE: all bolt on accessories shipped loose, to be field installed by others.

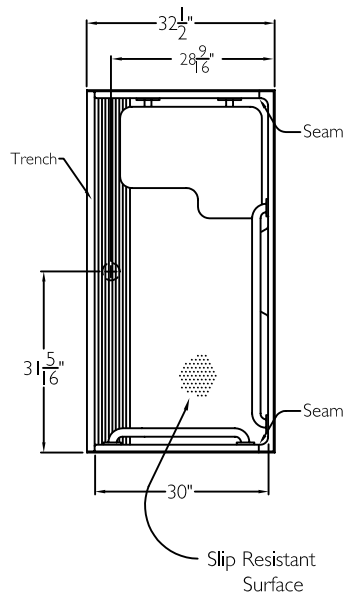
SUBMITTAL

This shower enclosure shall be model TAP 6232 LN 5P C. Finished surface shall be of a sanitary grade polyester gelcoat exhibiting a minimal thickness of 15 dry mils and a finished cured Barcoal hardness of 80-90 as tested with ASTM D-2583. Unit construction shall be of a molded reinforced fiberglass with a 15% minimum fiberglass content.

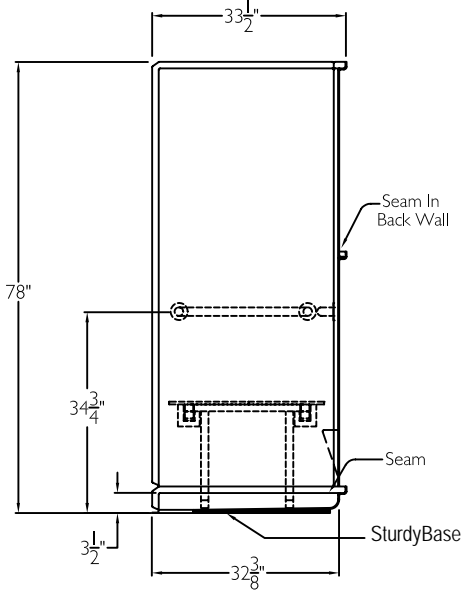
The unit shall have outside dimensions of 62 5/8" x 32 1/2" x 78."

The unit shall meet ANSI Z124.1-2, ANSI A117.1, ADA, HUD, BOCA, NAHB UPC, and shall meet the requirements of the Southern Building Code.

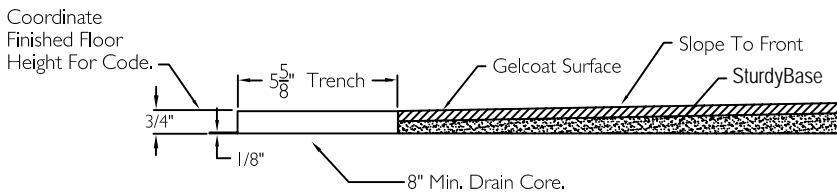
TOP VIEW



SIDE VIEW



CROSS SECTION OF THRESHOLD



OPTIONAL ACCESSORIES:

- Factory Plumbing Option: YES NO
- PB Pressure Balancing Mixing Valve (ADA / ANSI)
- HH Hand held shower assembly with slide bar, vacuum breaker and 60" hose (ADA / ANSI)

Factory plumbing shipped loose to be field installed by others

THIS UNIT FEATURES THE OUTSIDE DIMENSION OF 62 5/8" OF OVERALL WIDTH. THIS DOES NOT ALLOW FOR FULL ENCLOSURE OF THE BOLTS AND NUTS USED TO SECURE THE BARS AND SEAT IN PLACE. THE BOLT AND NUT COMBINATION SHOULD NOT PROTRUDE MORE THAN 3/4" ON EITHER SIDE OF THE SHOWER WALLS. THIS MAY REQUIRE THE NEED TO NOTCH STUDS TO ALLOW BOLT CLEARANCE FOR A DRYWALL ENCLOSED FIRE WALL INSTALLATION. ADJUSTMENT OF THE WALL BOARD MAY BE NECESSARY TO PROVIDE CLEARANCE OF THE BOLT(S) WHILE MAINTAINING THE INTEGRITY OF THE DRYWALL ENCLOSED FIRE WALL ENCLOSURE.

NOTE: THIS UNIT WILL NOT ACCEPT A DOOR.

Job Name	Approved By	Name	Date			
Trending Accessibility 815 Hylton Road, Suite 4 Pennsauken, NJ 08110 Office Phone 866.829.8335 Office Fax 856.488.9576	Project No	Architect		Model No. TAP 6232 LN 5P C		
		Engineer		Drawing No. TAP 6232 LN 5P C		
		Rep		Date Issued. 4-3-12	Drawing Rev.	
		Wholesaler		Material. Gelcoat		
		Comments			Color.	
					Dimensions are in inches. Due to the nature of the materials dimensions may vary ± 1/2"	