



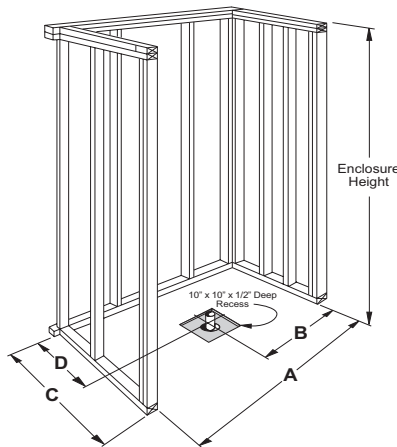
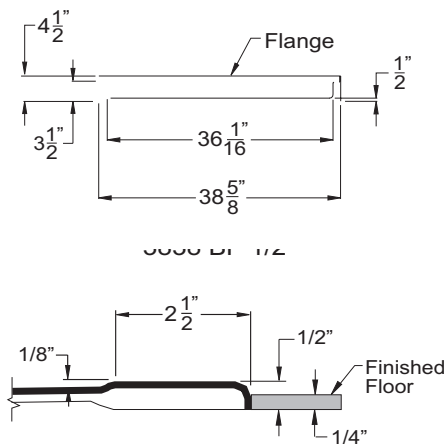
TAPP 3838 BF .5

OD: 38.625" x 38.4375" x 4.5"

Threshold: 1/2" Threshold

Handed By: Center Drain

Codes: ADA, ICC ANSI,
ANSI 117.1, MAS, TAS



	A	B	C	D
3838 BF PAN	38 7/8"	19 3/8"	38 5/8"	19 1/8"

PACKAGING DETAILS



- Compact, Durable
Carton Packaging for
Easy Handling



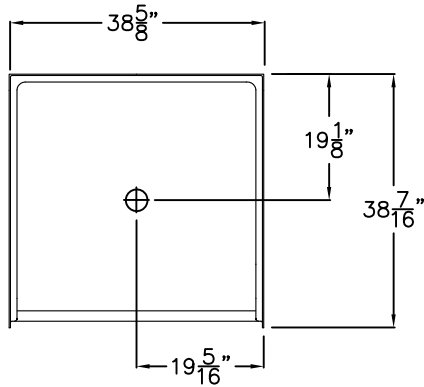
856-488-9535

www.TrendingAccessibility.com

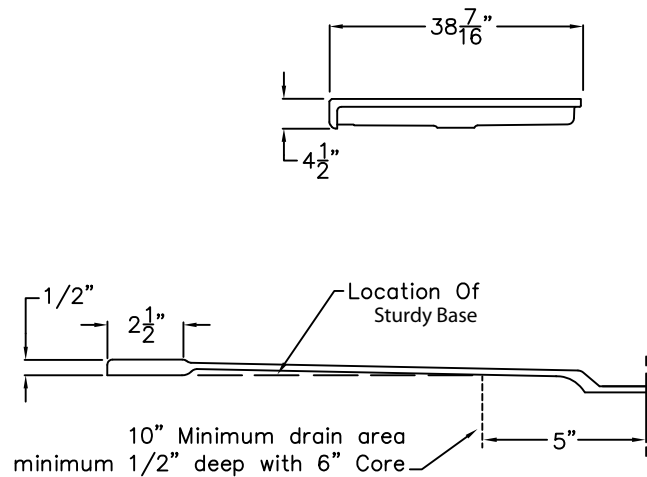
**TRENDING
ACCESSIBILITY**

TRENDING ACCESSIBILITY
SUBMITTAL DATA

TOP VIEW



SIDE VIEW



THRESHOLD DETAIL

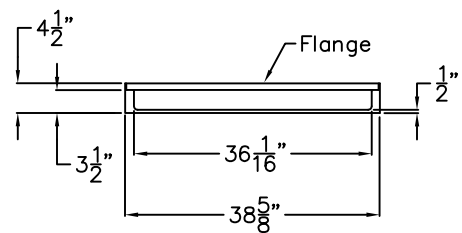
Barrier Free Shower Pan

The shower pan shall be 3838 BFPAN .50, center drain. Finished surface shall be of a sanitary-grade polyester Gelcoat exhibiting a minimal thickness of 15 dry mils, and a finished cured Barcol hardness of 80-90 as tested with ASTM D-2583. Unit construction shall be of molded reinforced fiberglass with a minimum fiberglass content. The unit shall have outside dimensions of 38 5/8" x 38 7/16" x 4 1/2". The one piece pan shall meet ANSI Z124.2, complies with CSA, NAHB, UPC, and shall meet the requirements of Southern Building Code.

The enclosure shall be equipped with the following installed accessories:

- 1) Low entry 1/2" threshold,
- 2) Factory installed self sustaining bottom.

FRONT VIEW



DUE TO THE NATURE OF THE MATERIALS INVOLVED
UNIT DIMENSIONS MAY VARY ± 1/2 INCH

Job Name:		TRENDING ACCESSIBILITY	
Model No.:		Drawing#: TAPP 3838 BF .50 PAN	
Approved by:	Date Approved:	Date: 3-31-09	Revised: 3-3-11
Rep.:	Wholesaler:	Quote No.	