



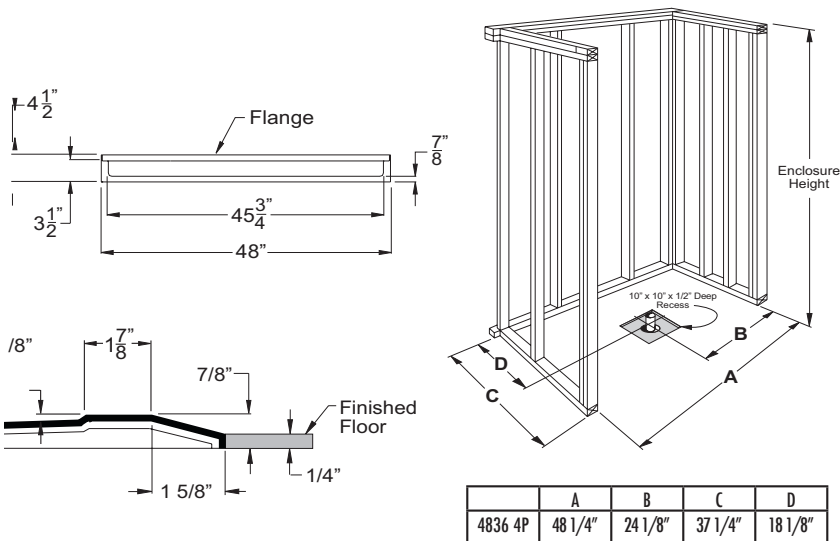
TAPP 4836 BF .875

OD: 48" x 37" x 4.5"

Threshold: 7/8" Change of Level*

Handed By: Center Drain

* Change of Level Threshold has a manageable 1/4" vertical rise to easily coordinate with minimum finished flooring.



PACKAGING DETAILS



- Compact, Durable Carton Packaging for Easy Handling

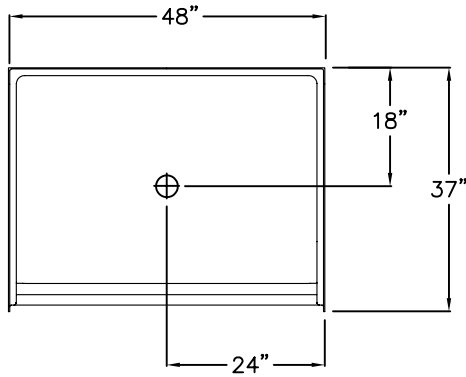
**TRENDING
ACCESSIBILITY**



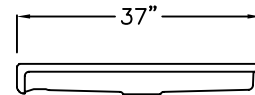
856-488-9535
www.TrendingAccessibility.com

TRENDING ACCESSIBILITY
SUBMITTAL DATA

TOP VIEW



SIDE VIEW



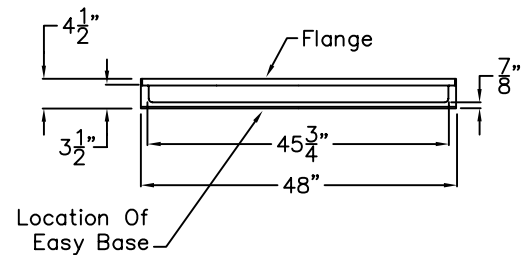
Barrier Free Shower Pan

The shower pan shall be 4836 BF PAN 875 .center drain. Finished surface shall be of a sanitary-grade polyester Gelcoat exhibiting a minimal thickness of 15 dry mils, and a finished cured Barcol hardness of 80-90 as tested with ASTM D-2583. Unit construction shall be of molded reinforced fiberglass with a minimum fiberglass content. The unit shall have outside dimensions of 48" x 37" x 4 1/2". The one piece pan shall meet ANSI Z124.2, NAHB, UPC, and shall meet the requirements of Southern Building Code.

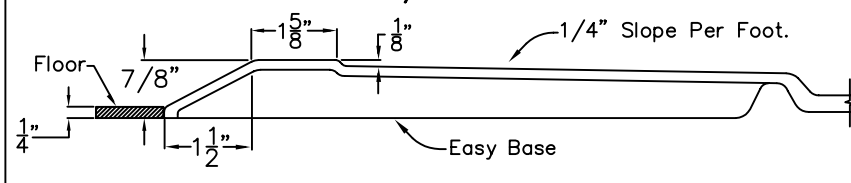
The enclosure shall be equipped with the following installed accessories:

- 1) Low entry threshold 7/8" threshold,
- 2) Factory installed Easy Base self sustaining bottom.

FRONT VIEW



Detail of 7/8" Threshold



DUE TO THE NATURE OF THE MATERIALS INVOLVED
UNIT DIMENSIONS MAY VARY ± 1/2 INCH

Job Name:	TRENDING ACCESSIBILITY		
Model No.:	Drawing#: TAPP 4836 BF .875 PAN		
Approved by:	Date Approved:	Date: 3-31-09	Revised: 12-20-10
Rep.:	Wholesaler:	Quote No.	