



TAPP 5050 BF 1.0

OD: 50.25" x 50.125" x 4.5"

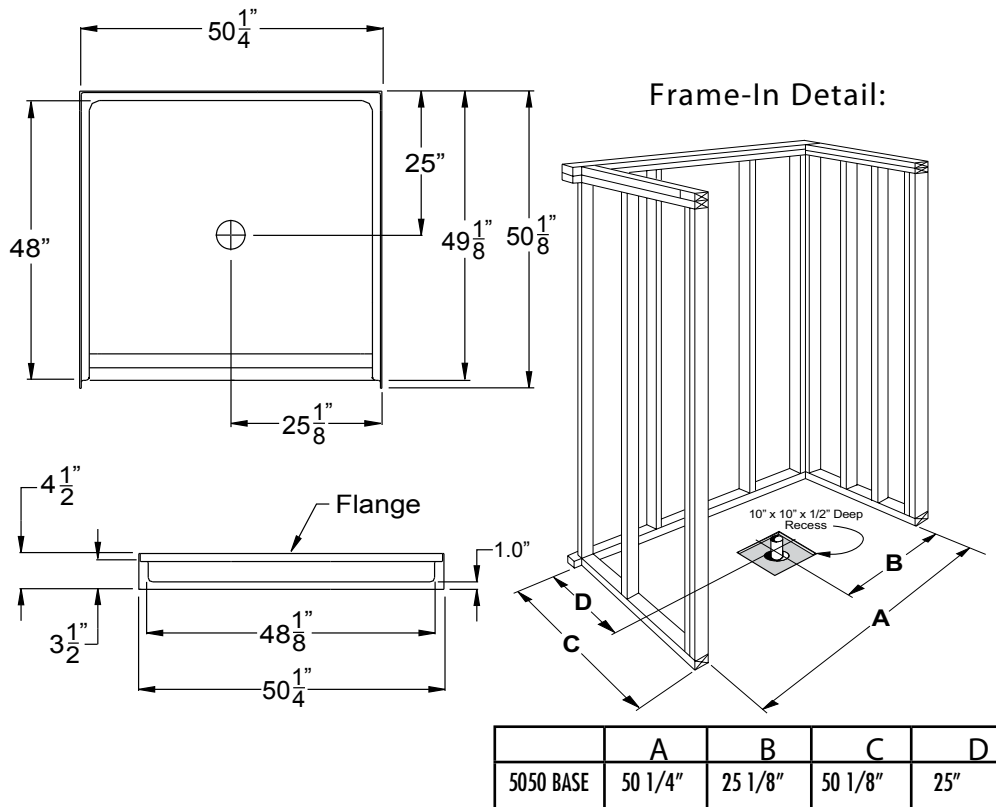
Threshold: 1" Change of Level*

Handed By: Center Drain

Weight: 126

Load Factor: .44

* Change of Level Threshold has a manageable 1/4" vertical rise to easily coordinate with minimum finished flooring.



PACKAGING DETAILS



- Compact, Durable Carton Packaging for Easy Handling

TRENDING ACCESSIBILITY

**TRENDING
ACCESSIBILITY**

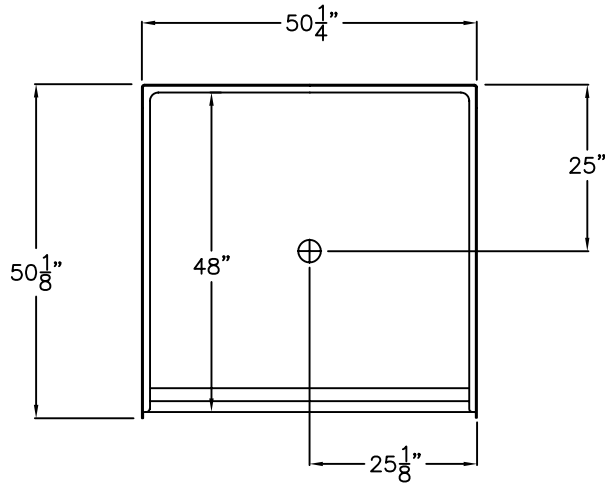
856-488-9535

www.TrendingAccessibility.com

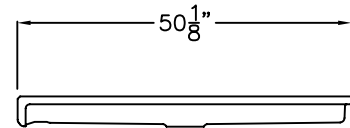
Comfort Series

SUBMITTAL DATA

TOP VIEW



SIDE VIEW



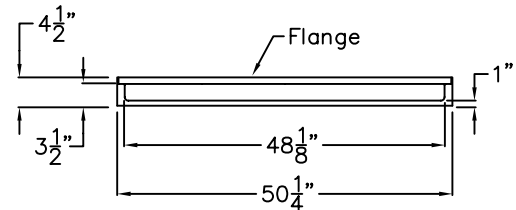
Barrier Free Shower Pan

The shower pan shall be 5050 BF PAN 1.0, center drain. Finished surface shall be of a sanitary-grade Solid Surface exhibiting a minimal thickness of 55 dry mils, and a finished cured Barcol hardness of 80-90 as tested with ASTM D-2583. Unit construction shall be of molded reinforced fiberglass with a minimum fiberglass content. The unit shall have outside dimensions of 50 1/8" x 50 1/4" x 4 1/2". The one piece pan shall meet ANSI Z124.2, NAHB, UPC, and shall meet the requirements of Southern Building Code.

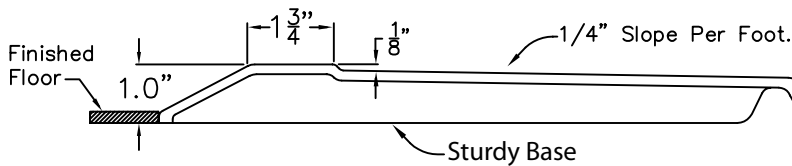
The enclosure shall be equipped with the following installed accessories:

- 1) Low entry 1" threshold,
- 2) Factory installed self sustaining bottom.

FRONT VIEW



Detail of 1.0" Threshold



DUE TO THE NATURE OF THE MATERIALS INVOLVED
UNIT DIMENSIONS MAY VARY ± 1/2 INCH

Job Name:		Drawing#: 5050 BF 1.0 Pan	
Model No.:		Sturdy Base	
Approved by:	Date Approved:	Date: 3-31-09	Revised: 6-15-12
Rep.:	Wholesaler:	Quote No.	

Recyclable Paper