



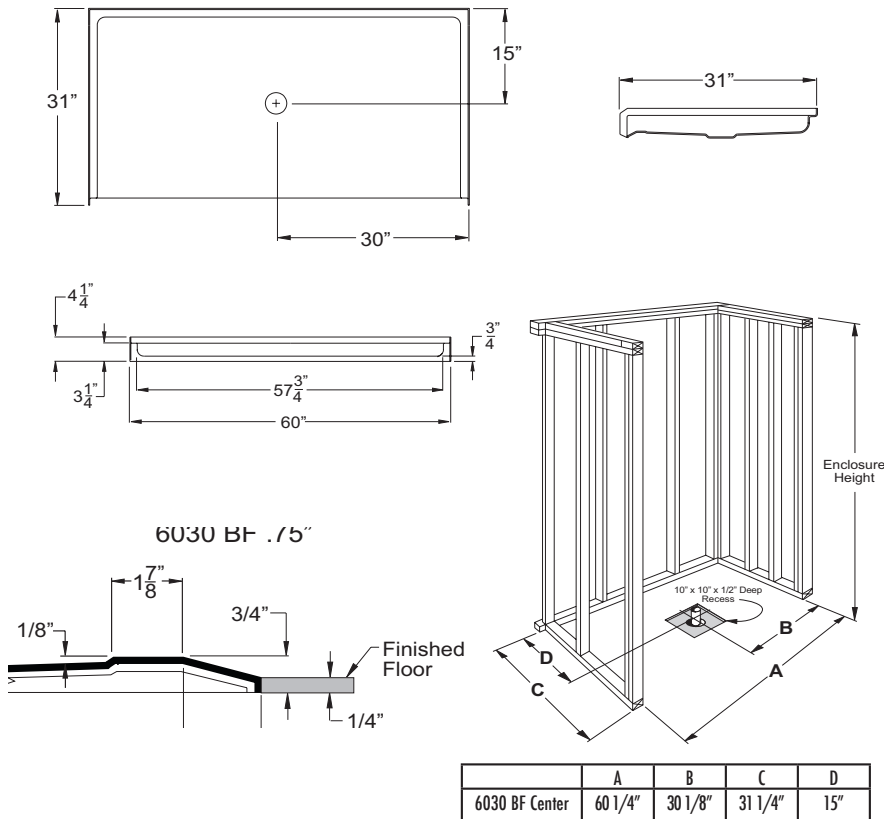
## TAPP 6030 BF .75 C

OD: 60" x 31" x 4.25"

Threshold: 3/4" Change of Level\*

Handed By: Center Drain

\* Change of Level Threshold has a manageable 1/4" vertical rise to easily coordinate with minimum finished flooring.



### PACKAGING DETAILS



- Compact, Durable Carton Packaging for Easy Handling

TRENDING  
ACCESSIBILITY

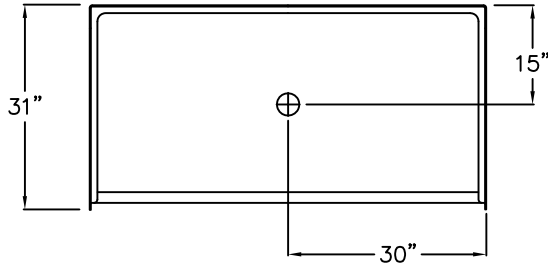
TRENDING  
ACCESSIBILITY

856-488-9535

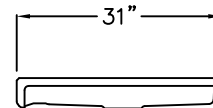
www.TrendingAccessibility.com

## TRENDING ACCESSIBILITY SUBMITTAL DATA

TOP VIEW



SIDE VIEW



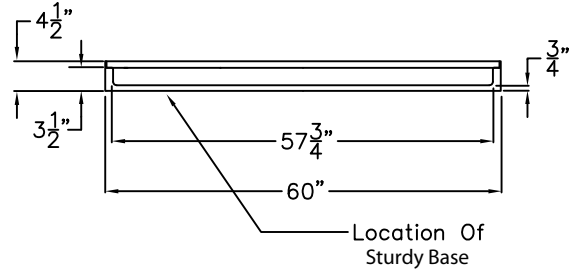
### Barrier Free Shower Pan

The shower enclosure shall be 6030 BF .75 Pan, Center. Finished surface shall be of a sanitary-grade Polyester Gelcoat exhibiting a minimal thickness of 15 dry mils, and a finished cured Barcol hardness of 80-90 as tested with ASTM D-2583. Unit construction shall be of molded reinforced fiberglass with a minimum fiberglass content. The unit shall have outside dimensions of 60" x 31" x 4 1/2". The gelcoat pan shall meet ANSI Z124.2, NAHB, UPC, comply with CSA, and shall meet the requirements of Southern Building Code.

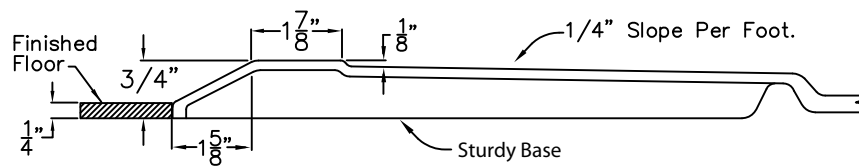
The enclosure shall be equipped with the following installed accessories:

- 1) Low entry 3/4" Threshold.
- 2) Center Drain Location.
- 3) self-sustaining bottom.

FRONT VIEW



### Detail of 3/4" Threshold



DUE TO THE NATURE OF THE MATERIALS INVOLVED  
UNIT DIMENSIONS MAY VARY ± 1/2 INCH

Job Name:	TRENDING ACCESSIBILITY		
Model No.:	Drawing#: TAPP6030 BF .75 Pan Center		
Approved by:	Date Approved:	Date: 3-31-09	Revised: 12-21-10
Rep.:	Wholesaler:	Quote No.	