

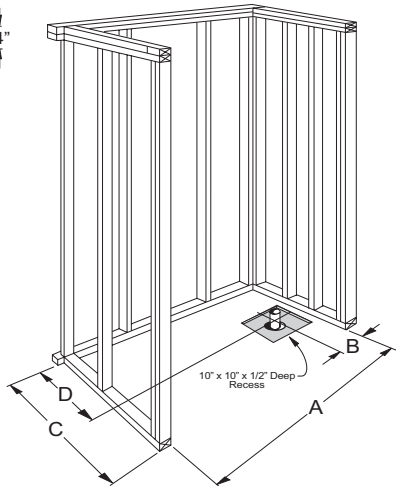
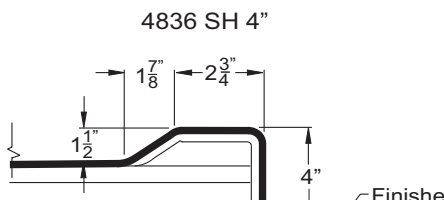
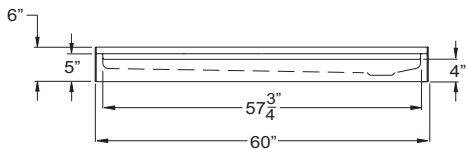
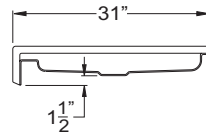
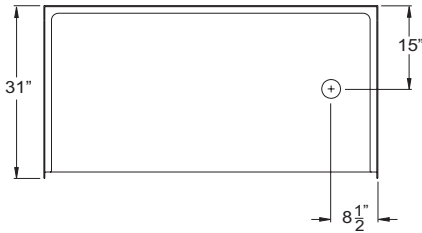


TAPP 6030 SH 4.0 L/R

OD: 60" x 31" x 6"

Threshold: 4" Easy Step Dam

Handed By: Drain L/R



	A	B	C	D
6030 SH	60 1/4"	8 1/2"	31 1/4"	15 1/8"

PACKAGING DETAILS



- Compact, Durable Carton Packaging for Easy Handling

TRENDING ACCESSIBILITY



856-488-9535

www.TrendingAccessibility.com

