



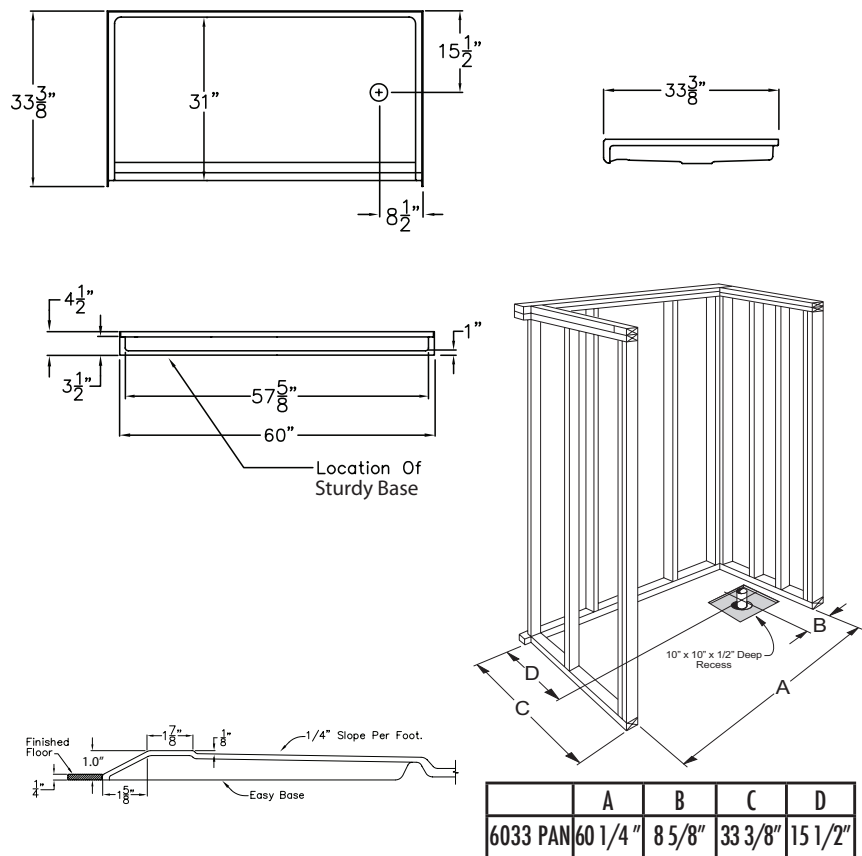
## TAPP 6033 BF 1.0 L/R

OD: 60" x 33.375" x 4.5"

Threshold: 1" Change of Level\*

Handed By: Drain L/R

\* Change of Level Threshold has a manageable 1/4" vertical rise to easily coordinate with minimum finished flooring.



### PACKAGING DETAILS



- Compact, Durable Carton Packaging for Easy Handling

TRENDING  
ACCESSIBILITY

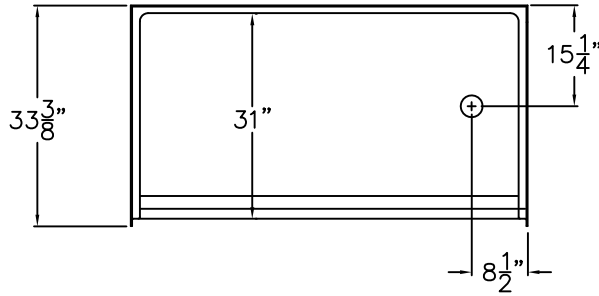
TRENDING  
ACCESSIBILITY

856-488-9535

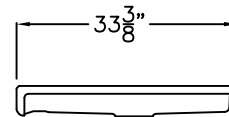
www.TrendingAccessibility.com

## TRENDING ACCESSIBILITY SUBMITTAL DATA

FRONT VIEW



SIDE VIEW



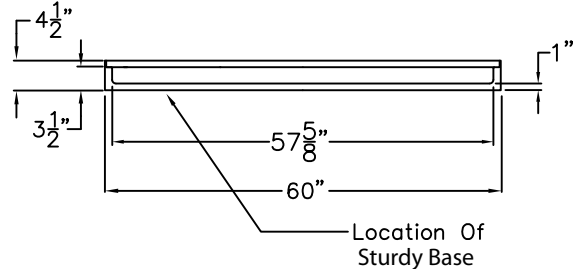
### Barrier Free Shower Pan

The shower enclosure shall be 6033 BF 1.0 Pan, Left or Right. Finished surface shall be of a sanitary-grade Polyester Gelcoat exhibiting a minimal thickness of 15 dry mils, and a finished cured Barcol hardness of 80-90 as tested with ASTM D-2583. Unit construction shall be of molded reinforced fiberglass with a minimum fiberglass content. The unit shall have outside dimensions of 60" x 33 3/8" x 4 1/2". The gelcoat pan shall meet ANSI Z124.2, NAHB, UPC, comply with CSA, and shall meet the requirements of Southern Building Code.

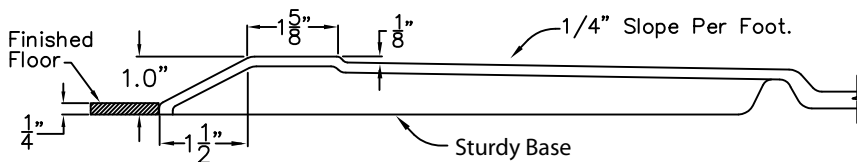
The enclosure shall be equipped with the following installed accessories:

- 1) Low entry 1.0" Threshold.
- 2) Left or Right Drain Location.
- 3) self-sustaining bottom.

TOP VIEW



### Detail of 1.0" Threshold



DUE TO THE NATURE OF THE MATERIALS INVOLVED  
UNIT DIMENSIONS MAY VARY ± 1/2 INCH

<b>Job Name:</b>	<b>TRENDING ACCESSIBILITY</b>
<b>Model No.:</b>	<b>Drawing#:</b> TAPP6033 BF 1.0 Pan Left or Right Drain Easy Base
<b>Approved by:</b>	<b>Date Approved:</b>
<b>Rep.:</b>	<b>Wholesaler:</b>
	<b>Quote No.</b>
	<b>Date:</b> 3-31-09 <b>Revised:</b> 2-7-11