



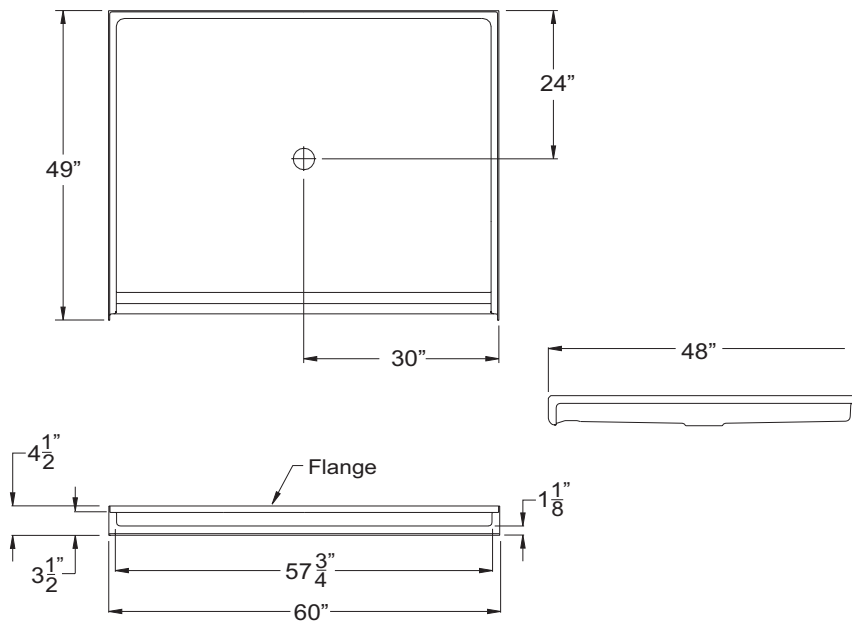
## TAPP 6048 BF 1.125

OD: 60" x 49" x 4.5"

Threshold: 1 1/8" Change of Level\*

Handed By: Center Drain

\* Change of Level Threshold has a manageable 1/4" vertical rise to easily coordinate with minimum finished flooring.



### PACKAGING DETAILS



- Compact, Durable Carton Packaging for Easy Handling

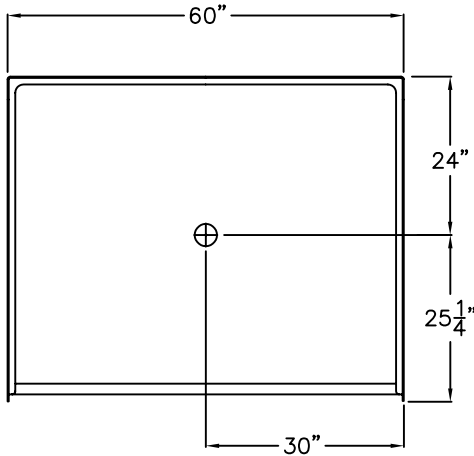
# TRENDING ACCESSIBILITY

  
TRENDING  
ACCESSIBILITY

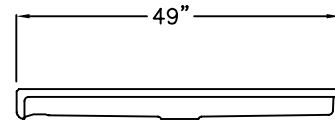
856-488-9535  
[www.TrendingAccessibility.com](http://www.TrendingAccessibility.com)

TRENDING ACCESSIBILITY  
SUBMITTAL DATA

TOP VIEW



SIDE VIEW



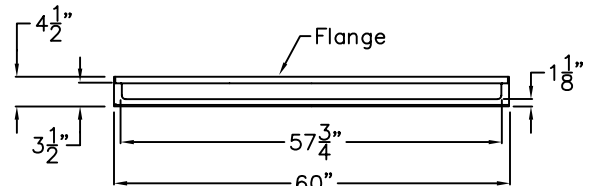
Barrier Free Shower Pan

The shower pan shall be 6048 BF PAN 1.125, center drain. Finished surface shall be of a sanitary-grade polyester Gelcoat exhibiting a minimal thickness of 15 dry mils, and a finished cured Barcol hardness of 80-90 as tested with ASTM D-2583. Unit construction shall be of molded reinforced fiberglass with a minimum fiberglass content. The unit shall have outside dimensions of 60" x 49" x 4 1/2". The one piece pan shall meet ANSI Z124.2, NAHB, UPC, and shall meet the requirements of Southern Building Code.

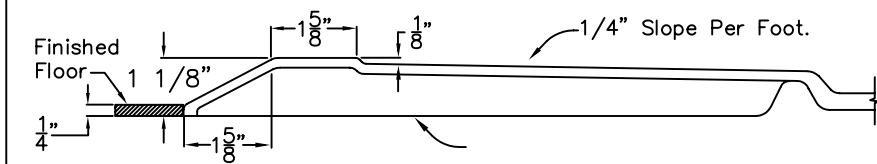
The enclosure shall be equipped with the following installed accessories:

- 1) Low entry 1 1/8" threshold,
- 2) Factory installed self sustaining bottom.

FRONT VIEW



Detail of 1 1/8" Threshold



DUE TO THE NATURE OF THE MATERIALS INVOLVED  
UNIT DIMENSIONS MAY VARY ± 1/2 INCH

Job Name:		TRENDING ACCESSIBILITY	
Model No.:		Drawing#: TAPP6048 BF 1.125 PAN	
Approved by:	Date Approved:	Date: 3-31-09	Revised: 12-20-10
Rep.:	Wholesaler:	Quote No.	