

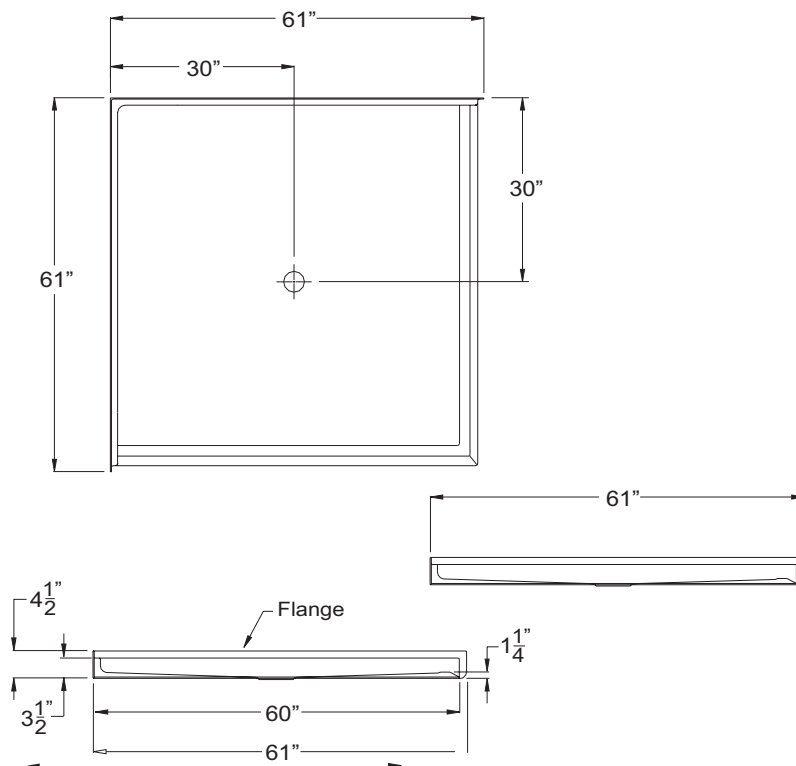


TAPP 6060 BF DE 1.25

OD: 61" x 61" x 4.5"

Threshold: 1 1/4" Change of Level*

* Change of Level Threshold has a manageable 1/4" vertical rise to easily coordinate with minimum finished flooring.



PACKAGING DETAILS



- Compact, Durable Carton Packaging for Easy Handling

TRENDING
ACCESSIBILITY

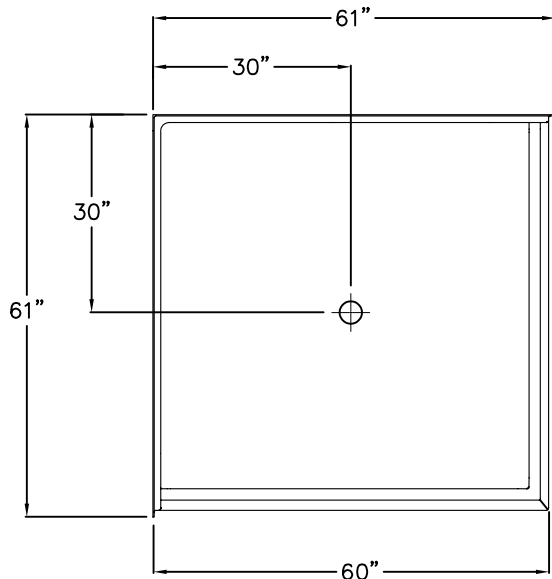

TRENDING
ACCESSIBILITY

856-488-9535

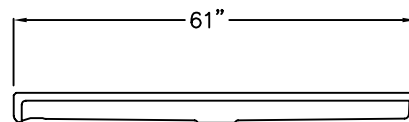
www.TrendingAccessibility.com

TRENDING ACCESSIBILITY SUBMITTAL DATA

TOP VIEW



SIDE VIEW



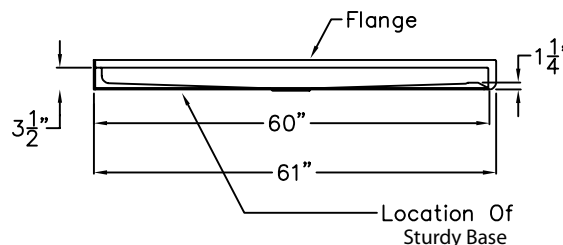
Barrier Free Shower Pan

The shower pan shall be 6060 BF DE PAN 1.25, center drain. Finished surface shall be of a sanitary-grade polyester Gelcoat exhibiting a minimal thickness of 15 dry mils, and a finished cured Barcol hardness of 80-90 as tested with ASTM D-2583. Unit construction shall be of molded reinforced fiberglass with a minimum fiberglass content. The unit shall have outside dimensions of 60" x 61" x 4 1/2". The one piece pan shall meet ANSI Z124.2, NAHB, UPC, and shall meet the requirements of Southern Building Code.

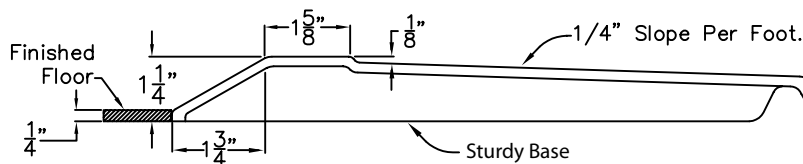
The enclosure shall be equipped with the following installed accessories:

- 1) Low double entry 1 1/4" threshold,
- 2) Factory installed self sustaining bottom.

FRONT VIEW



Detail of 1 1/4" Threshold



DUE TO THE NATURE OF THE MATERIALS INVOLVED
UNIT DIMENSIONS MAY VARY ± 1/2 INCH

Job Name:	TRENDING ACCESSIBILITY
Model No.:	Drawing# TAPP6060 BF DE 1.25 PAN
Approved by:	Date Approved: Date: 3-31-09 Revised: 12-20-10
Rep.:	Wholesaler: Quote No.