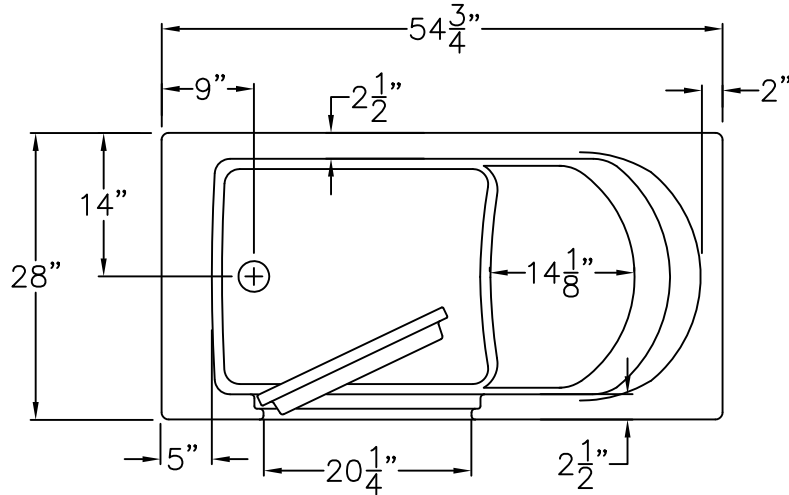


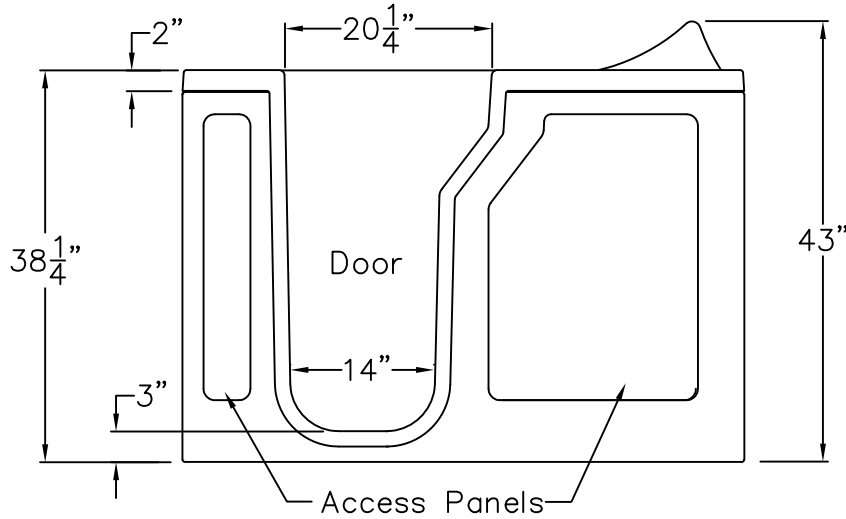
LUXURY GELCOAT SERIES

SUBMITTAL DATA

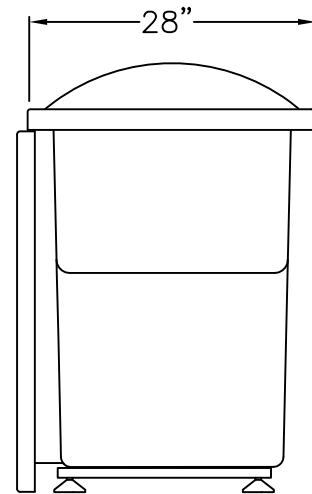
TOP VIEW



DOOR SIDE VIEW



SEAT END VIEW



TA 5528 WI Gelcoat walk in bathtub.
Unit complies with ANSI Z124.1-2.

DUE TO THE NATURE OF THE MATERIALS
DIMENSIONS MAY VARY ± 1/2"

Job Name:		TRENDING ACCESSIBILITY	
Approved By Print Name:		Drawing#: TA 5528 WI	
Approved By Signature:	Date Approved:	Date: 9-29-10	Revised: 1-27-14
Rep.:	Wholesaler:	Quote No.:	