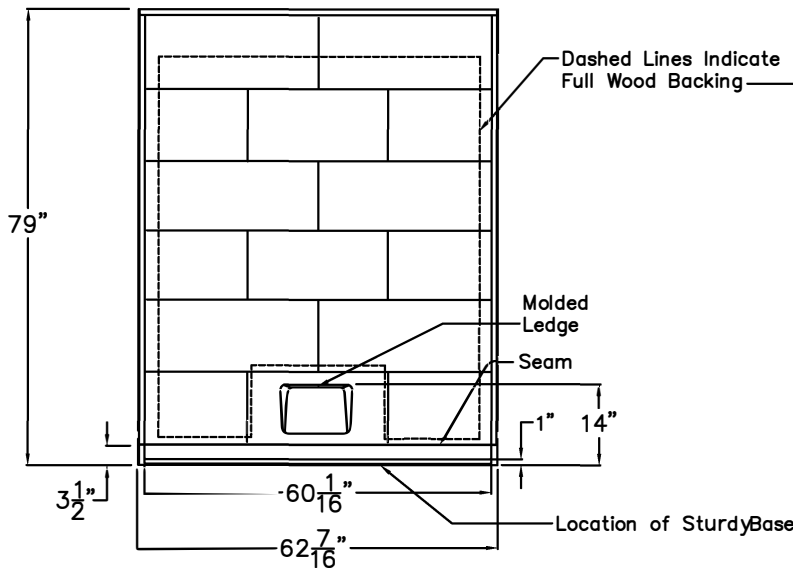
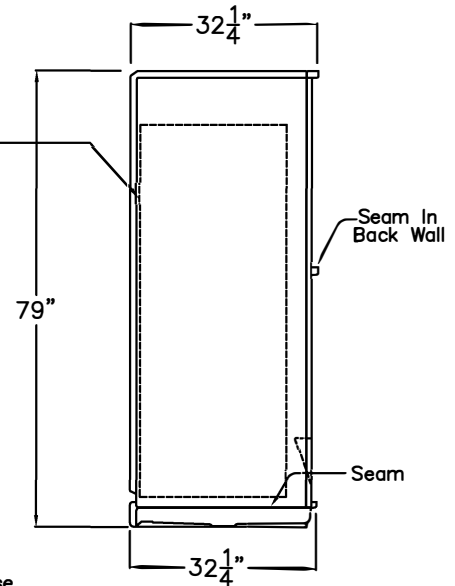


FRONT VIEW SUBMITTAL DATA



SIDE VIEW



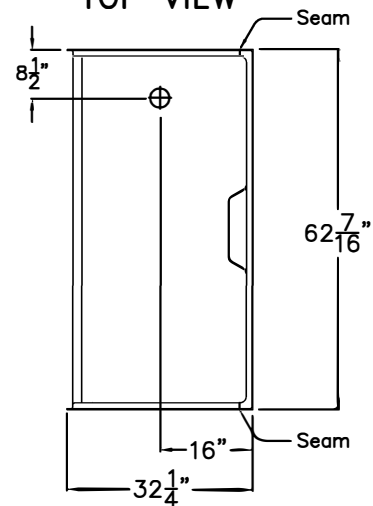
5 Piece Sectional BF Shower

The sectional shower shall be TAP6232 BF 5 Piece left, right drain. Finished surface shall be of a sanitary-grade polyester Gelcoat exhibiting a minimal thickness of 15 dry mils, and a finished cured Barcoal hardness of 80-90 as tested with ASTM D-2583. Unit construction shall be of molded reinforced fiberglass with a minimum 15% fiberglass content. The unit has outside dimensions of: 62 7/16" x 32 1/4" x 79". The 5 piece shower shall meet CSA B45.5, IAPMO Z124.1.2, HUD, FHA, Home Innovation Research Lab, ADA, ANSI A117.1, and shall meet the requirements of the Southern Building Code.

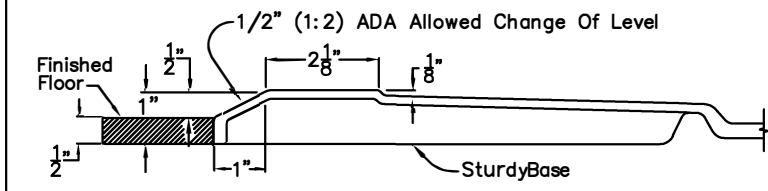
The enclosure shall be equipped with the following installed accessories:

- 1) Low entry 1.0" Threshold,
- 2) Tile Finish,
- 3) Low Molded Shelf,
- 4) Left or Right drain location,
- 5) Five Piece Sectional Design
- 6) Full Wood Backing On Walls
- 7) Factory installed SturdyBase self sustaining bottom.

TOP VIEW



Detail of 1.0" Threshold



DUE TO THE NATURE OF THE MATERIALS INVOLVED
UNIT DIMENSIONS MAY VARY ± 1/2 INCH

Drawing#: TAP 6232 BF 1.0 5P Left-Right Drain

Approved By Print Name:

Date Approved:

Revised: 7-18-14

Approved By Signature:

Wholesaler:

Quote No.